



EARTH-TEST
TELARIS Series
Earth Resistance Tester

Users Manual

- Bedienungshandbuch
- Mode d'emploi
- Manual de instrucciones
- Istruzioni d'uso



EARTH-TEST
TELARIS Series
Earth Resistance Tester
Users Manual

Users Manual

Contents	Page
Limited Warranty and Limitation of Liability	3
Repair	3
In-Warranty Repairs and Replacement – All Countries	3
Non-Warranty Repairs and Replacement – US and Canada	4
Non-Warranty Repairs and Replacement – Europe	4
References marked on instrument or in instruction manual:.....	5
Introduction/ Contents	6
Transport and Storage	6
Operator’s Safety	7
Appropriate Usage	7
General Information concerning Earth Measurement	8
Technical Terms	9
Product Description	10
Commissioning	12
Earth Resistance Measurement (two-wire method)	13
Earth Resistance Measurement (three-wire method)	14
Earth Resistance Measurement (four-wire method).....	16
Measurement of the Specific Earth resistance in accordance with the 'Wenner' method	17
Display Indications	19
Energy Management	20
Maintenance	20
Cleaning	20
Battery Replacement	20
Calibration Interval.....	21
Technical Data	22

Limited Warranty and Limitation of Liability

Your Amprobe product will be free from defects in material and workmanship for 2 years from the date of purchase. This warranty does not cover fuses, disposable batteries or damage from accident, neglect, misuse, alteration, contamination, or abnormal conditions of operation or handling. Resellers are not authorized to extend any other warranty on Amprobe's behalf. To obtain service during the warranty period, return the product with proof of purchase to an authorized Amprobe Service Center or to an Amprobe dealer or distributor. See Repair Section for details. THIS WARRANTY IS YOUR ONLY REMEDY. ALL OTHER WARRANTIES - WHETHER EXPRESS, IMPLIED OR STATUTORY - INCLUDING IMPLIED WARRANTIES OF FITNESS FOR A PARTICULAR PURPOSE OR MERCHANTABILITY, ARE HEREBY DISCLAIMED. MANUFACTURER SHALL NOT BE LIABLE FOR ANY SPECIAL, INDIRECT, INCIDENTAL OR CONSEQUENTIAL DAMAGES OR LOSSES, ARISING FROM ANY CAUSE OR THEORY. Since some states or countries do not allow the exclusion or limitation of an implied warranty or of incidental or consequential damages, this limitation of liability may not apply to you.

Repair

All test tools returned for warranty or non-warranty repair or for calibration should be accompanied by the following: your name, company's name, address, telephone number, and proof of purchase. Additionally, please include a brief description of the problem or the service requested and include the test leads with the meter. Non-warranty repair or replacement charges should be remitted in the form of a check, a money order, credit card with expiration date, or a purchase order made payable to Amprobe.

In-Warranty Repairs and Replacement – All Countries

Please read the warranty statement and check your battery before requesting repair. During the warranty period any defective test tool can be returned to your Amprobe distributor for an exchange for the same or like product. Please check the "Where to Buy" section on www.amprobe.eu for a list of distributors near you. Additionally, in the United States and Canada In-Warranty repair and replacement units can also be sent to a Amprobe Service Center (see next page for address).

Non-Warranty Repairs and Replacement – US and Canada

Non-warranty repairs in the United States and Canada should be sent to a Amprobe Service Center. Call Amprobe or inquire at your point of purchase for current repair and replacement rates.








In USA	In Canada
Amprobe Test Tools	Amprobe Test Tools
Everett, WA 98203	Mississauga, ON L4Z 1X9
Tel: 877-993-5853	Tel: 905-890-7600
Fax: 425-446-6390	Fax: 905-890-6866

Non-Warranty Repairs and Replacement – Europe

European non-warranty units can be replaced by your Amprobe distributor for a nominal charge. Please check the “Where to Buy” section on www.amprobe.eu for a list of distributors near you.

European Correspondence Address
BEHA-AMPROBE GmbH
In den Engematten 14
79286 Glottertal
Germany
Tel. +49 7684 8009 - 0
Fax. +49 7684 8009 - 410
www.amprobe.eu
info@amprobe.eu

References marked on instrument or in instruction manual:

	Warning of a potential danger, comply with instruction manual.
	Reference. Please use utmost attention.
	Caution! Dangerous voltage. Danger of electrical shock.
	Continuous double or reinforced insulation complies with Category II IEC 61140.
	Symbol for the marking of electrical and electronic equipment (WEEE Directive 2002/96/EC).
	Conformity symbol, the instrument complies with the relevant Directives. It complies with the EMC Directive (89/336/EEC). It also complies with the Low Voltage Directive (73/23/EEC).
 N10140	Conforms to relevant Australian standards.

WARNING

The instruction manual contains information and references necessary for safe operation and maintenance of the instrument.

Prior to using the instrument (commissioning / assembly) the user is kindly requested to thoroughly read the instruction manual and comply with it in all sections.

Failure to read the instruction manual or to comply with the warnings and references contained herein can result in serious bodily injury or instrument damage.

Introduction/ Contents

You have purchased a high quality measurement instrument of BEHA-AMPROBE GmbH which will allow you to carry out measurement over a long time period.

The Amprobe EARTH-TEST is a handy test and measurement instrument for testing Earthresistance. The Amprobe EARTH-TEST is characterised by the following features:

- Determination of earth resistance or specific earth resistance
- 2, 3, and 4-wire measurements possible
- Measurement of specific earth resistance measurement in compliance with the Wenner method
- Measurement current of approx. 10mA
- Display and monitoring of both auxiliary earth and probe resistances
- Displays the actual test current to further enhance and control measurement quality
- Probe and auxiliary ground resistance up to 50 k Ω
- Noise voltage detection
- Two measurement frequencies for noise voltage suppression
- Automatically optimised measurement frequency selection
- Pre-selection of maximum admissible contact voltage: VL 25 or 50 V
- Large, visible LC-display
- Energy management
- Built in accordance with EN61557-5, IEC61557-5

Contents:

- 1 pc EARTH-TEST
- 1 pc test lead, black
- 1 pc test lead, blue
- 1 pc crocodile clamps, black
- 1 pc crocodile clamps, blue
- 1 pc carrying holster
- 6 pc batteries 1.5V Mignon Type IEC LR6 (Size AA)
- 1 pc instruction manual

Transport and Storage

- Please keep the original packaging for later transport, e.g. for calibration. Any transport damage due to faulty packaging will be excluded from warranty claims.
- In order to avoid instrument damage, it is advised to remove batteries when not using the instrument over a certain time period. However, should the instrument be contaminated by leaking battery cells, you are kindly requested to return it to the factory for cleaning and inspection.
- Instruments must be stored in dry and closed areas. In the case of an instrument being transported in extreme temperatures, a recovery time of at least 2 hours is required prior to instrument operation.

Operator's Safety



The Amprobe EARTH-TEST has been designed and checked in accordance with the safety regulations for Electronic test and Measurement and left our factory in a safe and perfect condition. In order to maintain this condition and to ensure safe operation, the operator must respect the references and warnings contained in this instruction manual.

- The respective accident prevention regulations established by the professional associations for electrical systems and equipment must be strictly met at all times.
- Measurements in dangerous proximity of electrical installations are only to be executed when instructed by a responsible electrical specialist, and never alone.
- Prior to usage, inspect instrument and test leads for external damage. Prior to any operation, ensure that the connecting leads used and the instrument are both in perfect condition.
- If the operator's safety can no longer be guaranteed, the instrument is to be put out of service and protected against use. The safety is no longer guaranteed, if the instrument:
 - shows obvious damage
 - does not carry out the desired measurements
 - has been stored for too long under unfavourable conditions
 - has been subjected to mechanical stress during transport.
- The instrument may only be used within the operating ranges as specified in the technical data section.
- Avoid any heating up of the instrument by direct sunlight to ensure perfect functioning and long instrument life.
- The instrument may only be connected to voltage free earth connectors!

Appropriate Usage



- The instrument may only be used under those conditions and for those purposes for which it was built. For this reason, the safety references (chapter 3.0), as well as the technical data including environmental conditions (chapter 15.0) must be followed at all times.
- The operational safety of the instrument is no longer guaranteed after unauthorised modifications or changes.
- Service and maintenance may only be carried out by an authorised service technician.

General Information concerning Earth Measurement

The earth resistance is the resistance between reference earth and the connecting point of the earthing system. The earthing system is required to bring each system parts and circuits to a reference potential as close as possible to the reference earth. It is recommended to perform earth measurements in systems as lightning protection, telecommunication and tank parks.

The built-in earth measurement of the Amprobe EARTH-TEST is an earth resistance measurement in accordance with the voltage/current measurement method. The power is supplied by the built-in batteries. The earth resistance is determined in accordance with the voltage/current measurement method. Earthing represents an essential part of a power supply system. Earthing is required to bring the individual system parts and current circuits to a common reference potential close to the reference earth. Earthing is also used to protect systems from overvoltage or short-circuit currents.

The earth resistance must be of sufficiently low Ohm. The limit values are defined within national or international standards. Earthing or earth resistance is comprised of the earth conductor (equipotential bonding conductor or PE), the earth (foundation earth, rod earth, band earth...), and the earth spreading resistance, i.e. the resistance between earth and reference earth. A voltage funnel is formed around any earth depending on the earth shape and the surrounding soil. Assuming that the soil is uniform throughout with a uniform temperature as well as uniform humidity, the voltage funnels around the earth are of concentric shape.

The lower the earth resistance, the smaller the voltage funnels. When determining the earth resistance, the voltage drop is measured which has been generated by a known and constant current applied to the earth resistance to be measured.

Influence on Measurement Accuracy

The instrument Amprobe EARTH-TEST offers the option to set a maximum measurement voltage using the UL 25/50V key. The contact voltage limit for medical or agricultural applications should be set to 25V. For all other applications, it is advised to set the limit to 50V.

The measurement current supplied by the instrument is above 10mA, thus ensuring a precise measurement result. If, due to the total earthing resistance caused by the voltage which is generated by the measurement current, the pre-set contact voltage limit of 25V is reached, the measurement is only carried out at the current present at the contact voltage limit. If the 50V contact voltage limit has been selected the measurement current up to 50V is not limited. For any measurement voltages exceeding 50V, the measurement current is limited to 3mA. Thus, a precise measurement result at a sufficiently high measurement current is obtained, even when encountering difficult measurement conditions, e.g. stony soils.

Noise voltages present at ground connections may influence the measurement result. Noise voltage influence is very low for the instrument EARTH-TEST. A precise filter suppresses all interference whose frequencies are different with respect to the respective measurement frequency. Together with the possibility to choose between two measurement frequencies, best measurement results can be guaranteed. During automatic frequency selection mode, EARTH-TEST selects the measurement frequency with the lowest, measured interference voltage. Only use manual frequency selection, if the noise frequency is known. If noise voltages are present influencing the measurement result in spite of the filter, this condition is shown by displaying "Unoise". Further influence on measurement accuracy is emitted by ratios RH/RE and RS/RE, or absolute value of RH and RS. If the ratio RH/RE (RS/RE) exceeds the value 1000/1 (10000/1), the measurement accuracy indicated in the technical data section does no longer apply for the Amprobe EARTH-TEST. This is caused by the fact that the voltage to be measured only amounts to 1/1000 (1/10000) of the voltage present within the measurement circuit. If the ratio RH/RE (RS/RE) becomes excessive, " Δ Limit RH "RS" is shown in the display. The user should try to realise a better ground connection or earth rod contact to the surrounding earth (e.g. inserting earth rods deeper into the ground, humid earth or use earth rods parallel around earth rods).

Technical Terms:

Earth (E):	The ground is a conductor within the earth or a foundation being in conductive connection with the earth (e.g. a foundation ground in concrete).
Earth probe (ES)	Connector of earth rod next to the earth connector.
Reference ground:	An area of the earth that is sufficiently distant from the respective ground such that no noticeable voltages, caused by the grounding current, occur at any point within this range.
Auxiliary earth electrode (H):	Additional earth probe leading the measurement current for measurement purposes.
Probe (S):	An additional earth probe, preferably an earth rod, which is used as a potential for the reference earth for measurement purposes.
Spreading resistance of a earth:	The resistance of the earth between earth and reference earth.

Product Description

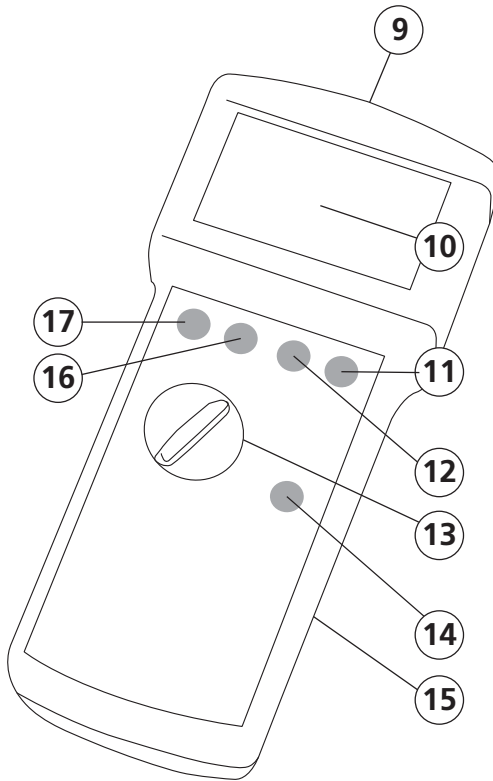
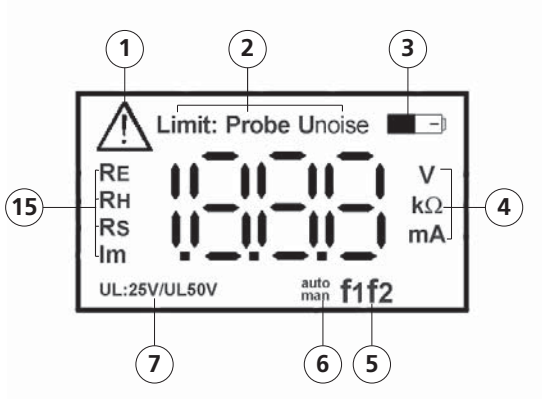
Indications in Display

(Also refer to display indications):

- 1) Symbol for Limit exceeding
- 2) Limit: Display at auxillary earth/ Probe-Error
Probe: Probe-Error
Unoise: external voltage
- 3) Battery indication
- 4) Indication of units, depending on the selection made (8)
- 5) Frequency indication
f1=127Hz/ f2=140Hz
- 6) Automatic/manual frequency selection
- 7) Contact voltage limit
- 8) Measurement indication

Control Elements

- 9) Connecting sockets for test leads:
Auxillary earth (H) black
Probe (S) yellow
Earth probe (ES) red
Earth (E) blue
- 10) LC Display
- 11) Key "UL" for contact voltage: 50V/ 25V
- 12) Key "f1/f2" for manual frequency selection:
f1=127Hz/ f2=140Hz
- 13) Measurement selection switch
- 14) Key "Start"
- 15) Battery case instrument (back side)
- 16) Key "auto/man" automatic/ manual frequency selection
- 17) Key "Display" for display of:
RE - earth resistance
RH - auxillary earth resistance
RS - probe resistance
I_M - measurement current



Commissioning

WARNING

- Measurements in dangerous proximity of electrical installations are only to be executed when instructed by a responsible electrical specialist, and never alone.
- To perform this measurement the user requires the Earth Measurement Set (option).
- The instrument may only be connected to voltage-free earth connectors.
- Prior to inserting grounds or rods, check the soil for possible dangerous objects present (pipes, conductors, etc.).
- If a voltage exceeding approx. 5V AC/DC is present at the test leads, the warning message 'Unoise' is displayed.
- To avoid faulty measurements, installed metal pipes, cables in the ground, or in open area underground waterways or roots must be taken into account. Additionally, the specific ground resistance is subject to seasonal weather-related variations.

Earth Resistance Measurement (two-wire method)

The **two-wire method** consists of measuring the resistance between the earth under test and a known earth. For this purpose, the PEN conductor of a TN system can be used, for example. The resistance of the known earth connection has to be subtracted from the measurement result. This measurement is also feasible in a densely populated or in sealed areas where rods and auxiliary earth connections may not be installed.

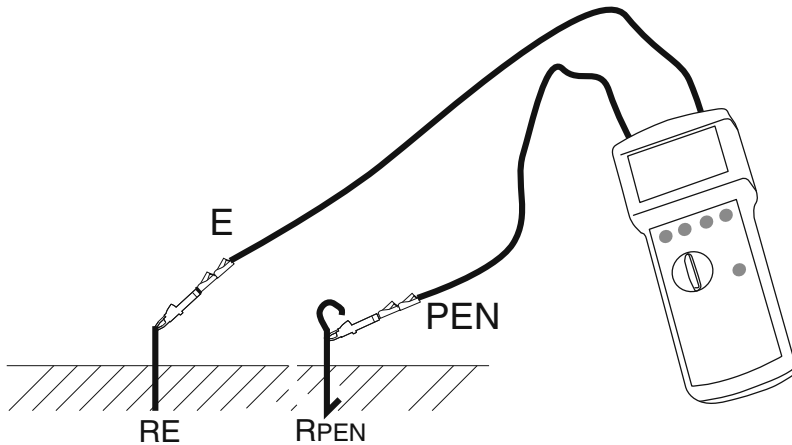


Figure 3: two-wire method

- 1) Connect earth to be tested with socket (E) and known earth with socket (H), also refer to fig. 3
- 2) Turn the rotary switch (13) to the "2 pole" position.
- 3) Set contact voltage (11) by using key "UL".
- 4) If required choose manual frequency selection by using key "auto/man" (16), and select test frequency with key "f1/f2" (12).
- 5) Press key "Start" (14).
- 6) Read the measurement result from the display.

- Also refer to display indication
- After the measurement, selection can be made between display of earth resistance or measurement current (I_M) by using key "Display"(8), depending on the measurement result.
- Possibility to measure conventional resistance by using the grounding resistance measurement range. For this purpose, connect test leads E and H to the DUT. Test current is fed via lines E and H, measurement voltage is measured via E and H.

Earth Resistance Measurement (three-wire method)

- To perform this measurement the user requires the Earth Measurement Set (Cat. No.1048)



The **three-wire method** consists of inserting two earth rods (one auxiliary earth and one probe) into the soil, at a minimum distance of 20m. This layout can also be realized by triangular shape. The test current is fed between auxiliary earth and earth. The voltage drop between earth and probe is measured. The test lead resistance from measurement instrument to earth is included in the measurement. This measurement is used to determine e.g. earth resistance of foundation earths, building site earths and lighting protection earth connections.

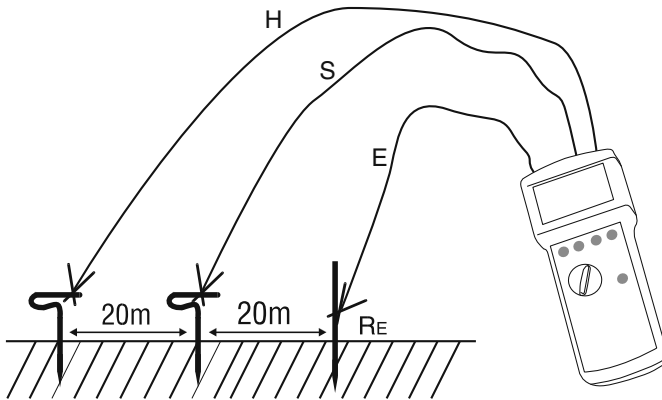


Figure 4: three-wire measurement

- 1) Locate earth rods for auxiliary ground, probe and ground, in one line if possible, as described in figure 4. The layout can also be realized by triangular shape. Distance between probe and earth, or probe and auxiliary earth must be at least 20 m. The test leads should not be parallel to each other and should not cross to avoid couplings.
- 2) Connect test leads to earth rods acc. figure 4.
- 3) Select "3 pole" measurement by using measurement selection switch (13).
- 4) Set contact voltage (11) by using key "UL" (14).
- 5) If required choose manual frequency selection by using key "auto/man" (16), and select test frequency with key "f1/f2" (12).
- 6) Press key "Start" (14)
- 7) Read measurement result from display.

- 8) To verify the measurement, exchange the connections of probe and auxiliary earth or move the earth rod for the probe approx. 1...2m towards the earth connector (or afterwards towards the auxiliary earth) and measure again. If the instrument shows similar measurement results for all three measurement layouts, the probe is located outside the voltage funnel generated by earth and auxiliary earth in the reference earth area.

Are the measurement values not similar the probe could be located inside the voltage funnel.

To avoid this there are two possibilities:

A: increase the distance between earth and auxiliary earth

or,

B: position the earth rod for the probe to one point of the line outside the voltage funnel, as shown in figure 5, and repeat the measurement.

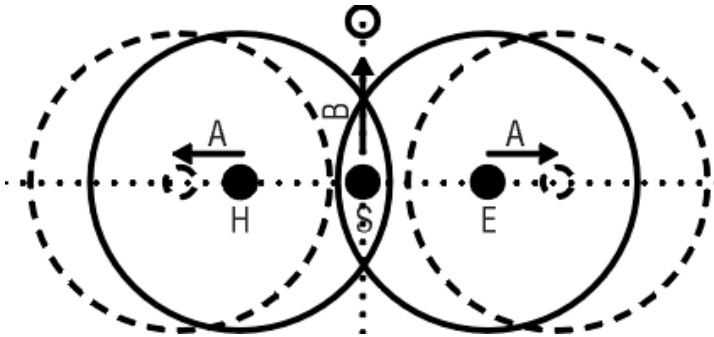


Figure 5: Voltage funnel

- After the measurement, selection can be made between display of earth resistance (RE), auxiliary resistance (RS) and measurement current (IM) by using key "Display" (8), depending on the measurement result.
- The connection sequence must be respected. Otherwise the instrument will not be able to carry out the measurement and indicates an error message:
 - the display "Probe" indicates a connection error of S, E (interruptions, exchange also with H or E)
 - the "Limit IM" display indicates an interruption of the H connectors.
- Also refer to display indications

Earth Resistance Measurement (four-wire method)

- To perform this measurement the user requires the Amprobe Earth Measurement Set

The **four-wire measurement** is applied instead of the three-wire measurement when dealing with extremely low earth resistances and if the resistance of test lead between instrument and earth connector interfere the measurement result.

Here, the earth to be measured is connected via the connectors E and ES, the measurement selection switch is set to "4pol" and a measurement are performed as described.

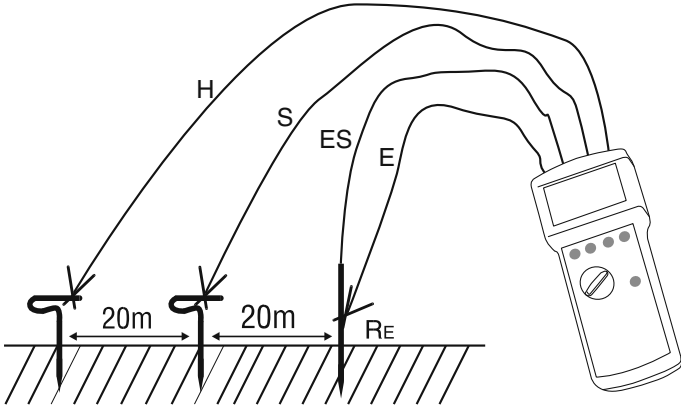


Figure 6: four-wire measurement

Measurement of the Specific Earth resistance in accordance with the 'Wenner' method

- To perform this measurement the user requires the Amprobe Earth Measurement Set

To calculate the spreading resistance of earths and earthing systems the specific earth resistance must be determined. To calculate the specific earth resistance, the measured earth resistance is used in the formula: $\rho = 2 \cdot \pi \cdot a \cdot RE$.

This measurement is performed using four earth rods inserted into the soil to be tested in one line at the same distance 'a' apart. The four earth rods are inserted into a depth of maximum 1/5th of the distance 'a'.

The earth resistance is detected up to the depth of the distance 'a'. To avoid faulty measurements metal pipes, cables in the earth, or in open areas under earth waterways, or roots installed or located in parallel must be taken into account. Additionally, the specific earth resistance is subject to seasonal weather-related variations.

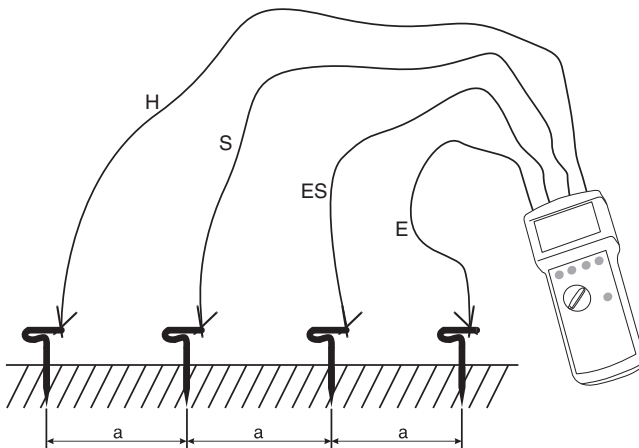


Figure 7: Specific Earth resistance measurement

- 1) Place the four earth rods for E, ES, S, H in one line, in accordance with Figure 7. The distance between each probes must match the value used in the formula. Carefully place the test leads making sure that the test leads are not parallel to each other and do not cross to avoid coupling.
- 2) Connect test leads to earth rods according to figure 7.
- 3) Select "4 pole" measurement by using selection switch (13).
- 4) Set contact voltage by using key "UL" (11).
- 5) If required choose manual frequency selection by using key "auto/man" (16), and select test frequency with key "f1/f2" (12).
- 6) Press key "Start"(14), read measurement result on display.

- After the measurement, selection can be made between display of earth resistance (RE), auxiliary resistance (RS) and measurement current (IM) by using key "Display" (8), depending on the measurement result.
- The connection sequence must be respected. Otherwise the instrument will not be able to carry out the measurement and indicates an error message:
 - the display "Probe" indicates a connection error of S, E (interruptions, exchange also with H or E)
 - the "Limit I_M" display indicates an interruption of the H connection.
- The procedure is carried out at different locations and at respectively varying distances "a". Thus, the composition of the soil for the desired area is examined. Here, a measurement at larger distances "a" gives more details about the specific earth resistance in deeper grounds.

Table 1:

Type of the Ground	Earth Resistance Bar Ground Connection		Earth Resistance Flat Ground Connection	
	3m deep	5m deep	5m length	10m length
marshy soil/swamp	10 Ω	5 Ω	12 Ω	6 Ω
arable land/clay	33 Ω	17 Ω	40 Ω	20 Ω
humid sandy soil	66 Ω	33 Ω	80 Ω	40 Ω
dry sandy soil	330 Ω	165 Ω	400 Ω	200 Ω
stony soil	1000 Ω	500 Ω	1200 Ω	60 Ω
concrete1:5			160 Ω	80 Ω

References to evaluate measurement results (in compliance with DIN VDE 0413)

Table 2:








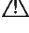
Required max. Permissible Resistance	Maximum Displayed Test Value
0.3 Ω	0.18 Ω
0.4 Ω	0.28 Ω
0.5 Ω	0.37 Ω
0.6 Ω	0.46 Ω
0.7 Ω	0.56 Ω
0.8 Ω	0.65 Ω
0.9 Ω	0.75 Ω
1.0 Ω	0.84 Ω
2.0 Ω	1.84 Ω
3.0 Ω	2.79 Ω
4.0 Ω	3.73 Ω
5.0 Ω	4.67 Ω

Example for Table 2:

Required max. permissible resistance 1Ω.

Maximum displayed test value on EARTH-TEST 0,84 Ω.

Display Indications

Message	Cause
	Reference to exceeding the limit of a measurement value
 Probe	Interruption / exchange probe(S) - earth probe (ES) (at 4 pole measurement) Interruption / exchange probe (S) - earth (E) (at 3 pole measurement) Interruption auxillary earth (H) - earth (E) (at 2 pole measurement)
 Limit I _M	Interruption auxillary earth (H) - earth (E) (at 4/3 pole measurement)
 Unoise	External voltage has exceeded admissible value, Measurement values do not longer correspond to the specifications!
 Limit R _H	Measurement value R _H > 50 kΩ or R _H > 1000 R _E measurement values do not longer correspond to specifications
 Limit R _S	Measurement value probe resistance (R _S) > 50 kΩ or probe resistance (R _S) > 10000 x R _E Measurement values do not longer correspond to specifications!
 Limit R _E	Measurement value earth resistance (R _E) > 2 kΩ (at 4/3 pole measurement) Displayed measurement values for R _H , R _S are then R _H +R _E ,R _S +R _E !
 Limit	Measurement value R > 2kΩ (at 2 pole measurement)
Battery-Symbol	Batteries are nearly empty. must be changed. Measurement values do not longer correspond to specifications!
Batt-Symbol is blinking	Batteries are complete empty. measurement no longer possible!

Energy Management

Approximately 5 minutes after last key operation, the instrument switches off automatically (auto-power-off). To switch the instrument on again, turn rotary switch from the "OFF" position to the desired function.

If the batteries are almost completely discharged, the battery symbol (3) appears. The instrument continues functioning without necessarily respecting the specifications.

If the batteries continue to be used and discharged, the instrument switches off at a point when the minimum battery voltage level is reached and may not be switched on again.

Maintenance

When using the instrument in compliance with the instruction manual, no special maintenance is required.

Cleaning

If the instrument is dirty after daily usage, it is advised to clean it by using a damp cloth and a mild household detergent.

Prior to cleaning, ensure that the instrument is switched off and disconnected all external circuits.

- Never use acid detergents or dissolvants for cleaning.

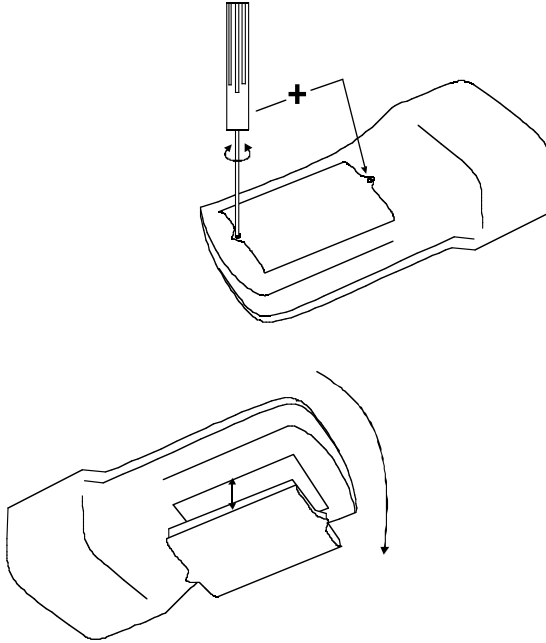
Battery Replacement



WARNING

- Prior to battery replacement, disconnect the instrument from all connected measurement circuits.
- Only use batteries in compliance with the specifications of the technical data section, 1.5 V type IEC LR6 (Size AA/ Mignon) .
- Never try to disassemble battery cells. Never throw a battery into fire as this could lead to an explosion. Never expose batteries to humidity
- Please consider your environment when you dispose of your used batteries or accumulators. They belong in a rubbish dump for hazardous waste. In most cases, the batteries can be returned to their point of sale.
- Please, comply with the appropriate regulations concerning the return, recycling and disposal of used batteries and accumulators.
- If an instrument is not used over an extended time period, the batteries must be removed. Should the instrument be contaminated by leaking battery cells, the instrument has to be returned for cleaning and inspection to the factory.

- 1) If the battery symbol (3) appears in the display, the batteries must be replaced..
- 2) Switch off the instrument via the measurement selection switch.
- 3) Loosen the screws on the instrument rear.
- 4) Lift the battery case cover (by slightly hitting the instrument in the palm of your hand).
- 5) Remove the discharged batteries.
- 6) Insert new batteries and ensure the correct polarity is respected.
- 7) Replace the battery case cover and retighten the screws.
- 8) The instrument is now ready for further measurements.



Calibration Interval

We suggest a calibration interval of one year. If the instrument is used very often or if it is used under rough conditions we recommend shorter intervals. If the instrument is used few times only the calibration interval can be extended on to 3 years.

Technical Data

Display: 3 digit LCD, 1999 digit
Duration of measurement: 3-5s
Measurement principle: current-voltage measurement principle in accordance with EN61557-5

Measurement voltage: 25V/ 50V selection
Current/power consumption: approx. 10mA/ 0,1W max. 500mA briefly, during measurement
Measurement current: max. 12mA
Frequency (f1/ f2): 127Hz/ 140Hz, selectable

Measurement method: 2 pole/ 3 pole/ 4 pole

	Range	Tolerance	
RE:	0.05 - 2.00 Ohm	$\pm(4\% + 0.1 \text{ Ohm})$	$\pm(6\% + 0.1 \text{ Ohm})^*$
RE:	2.00 - 1999 Ohm	$\pm(4\% + 2 \text{ Digit})$	$\pm(6\% + 3 \text{ Digit})^*$
RH, RS:	0.1 - 50 kOhm	$\pm(10\% + 3 \text{ Digit})^*$	
IM:	0.1 - 13mA	$\pm(10\% + 3 \text{ Digit})^*$	

*operating error

Nominal use range:

Correct polarity: for 3/4 pole measurements
Noise voltage: 0...5V, max. 10% of measurement voltage
aux. earth (RH), probe resis. (RS): max. 50 kOhm
Ratio RH/ RE: max. 1000/1
Ratio RS/ RE: max. 10000/1
Earth resistance (RE): max. 2 kOhm

Reference range:

Correct polarity: for 3/4 pole measurements
Noise voltage: 0 V
aux. earth (RH),
probe resis. (RS) 0 Ohm
Earth resistance (RE): max. 2 kOhm
Auto power off after approx. 5 min
Power supply 6 x 1.5 V Type IEC LR6 (Mignon/Size AA)
Low Bat at 6.6 V $\pm 5\%$ (OFF at 6.1V $\pm 5\%$)
Battery life approx. 1 year for normal use
Dimensions (LxWxD) 235x105x68 mm
Weight approx. 640g (inc. 6 x batteries)

Environmental Conditions

Temperature range / humidity	0°C...40°C / max. 80% at -10°C...40°C
Reference temperature range:	+17°C...+27°C
Storage temperature range	-20°C...+60°C
Casing	protection class II
Built in accordance with	IEC 61557-5, DIN VDE 0413-5, EN 61557-5,
Overvoltage category	CAT III / 300V against ground
Pollution degree	2
Protection class:	II
Protection degree	IP50
Height above MSL.	up to 2000m

Subject to technical changes without notice!
11/2007

PAEB30872261



EARTH-TEST
TELARIS Series
Earth-Resistance Tester
Bedienungshandbuch

Anleitung

Inhalt	Seite
Beschränkte Gewährleistung und Haftungsbeschränkung	3
Reparatur	3
Auf dem Gerät oder in der Bedienungsanleitung vermerkte Hinweise:	5
Einleitung / Lieferumfang	6
Transport und Lagerung.....	6
Sicherheitsmaßnahmen	7
Bestimmungsgemäße Verwendung.....	7
Allgemeines zur Erdmessung	8
Einflüsse auf die Messgenauigkeit.....	8
Begriffe	9
Bedienelemente und Anzeigen	10
Durchführen von Messungen.....	12
Erdungswiderstandsmessung (Zweileitermethode)	13
Erdungswiderstandsmessung (Dreileitermethode)	14
Erdungswiderstandsmessung (Vierleitermethode)	16
Spezifischer Erdwiderstandsmessung (Vierleitermethode nach Wenner)	17
Anzeigen / Fehlermeldungen.....	19
Energiemanagement	20
Wartung	20
Reinigung	20
Batteriewechsel.....	20
Kalibrierintervall.....	21
Technische Daten	22

Beschränkte Gewährleistung und Haftungsbeschränkung

Es wird gewährleistet, dass dieses Amprobe-Produkt für die Dauer der gesetzlichen Gewährleistungspflicht ab dem Kaufdatum frei von Material- und Fertigungsdefekten ist. Diese Gewährleistung erstreckt sich nicht auf Sicherungen, Einwegbatterien oder Schäden durch Unfälle, Nachlässigkeit, Missbrauch, Änderungen oder abnormale Betriebsbedingungen bzw. unsachgemäße Handhabung. Die Verkaufsstellen sind nicht dazu berechtigt, diese Gewährleistung im Namen von Amprobe zu erweitern. Um während der Gewährleistungsperiode Serviceleistungen zu beanspruchen, das Produkt mit Kaufnachweis an ein autorisiertes AMPROBE Service-Center oder an einen Amprobe-Fachhändler/-Distributor einsenden. Einzelheiten siehe Abschnitt „Reparatur“ oben. DIESE GEWÄHRLEISTUNG STELLT DEN EINZIGEN UND ALLEINIGEN RECHTSANSPRUCH AUF SCHADENERSATZ DAR. ALLE ANDEREN GEWÄHRLEISTUNGEN - VERTRAGLICH GEREGLTE ODER GESETZLICHE VORGESCHRIEBENE - EINSCHLIESSLICH DER GESETZLICHEN GEWÄHRLEISTUNG DER MARKTFÄHIGKEIT UND DER EIGNUNG FÜR EINEN BESTIMMTEN ZWECK, WERDEN ABGELEHNT DER HERSTELLER ÜBERNIMMT KEINE HAFTUNG FÜR SPEZIELLE, INDIRECTE, NEBEN- ODER FOLGESCHÄDEN ODER VERLUSTE, DIE AUF BELIEBIGER URSACHE ODER RECHTSTHEORIE BERUHEN. Weil einige Staaten oder Länder den Ausschluss oder die Einschränkung einer implizierten Gewährleistung sowie von Begleit- oder Folgeschäden nicht zulassen, ist diese Gewährleistungsbeschränkung möglicherweise für Sie nicht gültig.

Reparatur

Zu allen Geräten, die zur Reparatur oder Kalibrierung im Rahmen der Garantie oder außerhalb der Garantie eingeschickt werden, muss folgendes beigelegt werden: Name des Kunden, Firmenname, Adresse, Telefonnummer und Kaufbeleg. Zusätzlich bitte eine kurze Beschreibung des Problems oder der gewünschten Wartung sowie die Messleitungen dem Messgerät beilegen. Die Gebühren für Reparaturen außerhalb der Garantie oder für den Ersatz von Instrumenten müssen als Scheck, Geldanweisung, Kreditkarte (Kreditkartennummer mit Ablaufdatum) beglichen werden oder es muss ein Auftrag an AMPROBE formuliert werden.

Bitte die nachfolgende Garantieerklärung lesen und die Batterie prüfen, bevor Reparaturen angefordert werden. Während der Garantieperiode können alle defekten Geräte zum Umtausch gegen dasselbe oder ein ähnliches Produkt an den AMPROBE-Distributor gesendet werden. Ein Verzeichnis der zuständigen Distributoren ist im Abschnitt „Where to Buy“ (Verkaufsstellen) auf der Website www.amprobe.eu zu finden. Darüber hinaus können in den USA und in Kanada Geräte an ein AMPROBE Service-Center (Adresse siehe weiter unten) zur Reparatur oder zum Umtausch eingeschickt werden.

Reparaturen und Austausch außerhalb der Garantie

USA und Kanada Für Reparaturen außerhalb der Garantie in den Vereinigten Staaten und in Kanada werden die Geräte an ein AMPROBE Service-Center gesendet. Auskunft über die derzeit geltenden Reparatur- und Austauschgebühren erhalten Sie von AMPROBE oder der Verkaufsstelle.

In USA	In Canada
Amprobe Test Tools	Amprobe Test Tools
Everett, WA 98203	Mississauga, ON L4Z 1X9
Tel: 877-993-5853	Tel: 905-890-7600
Fax: 425-446-6390	Fax: 905-890-6866








Reparaturen und Austausch außerhalb der Garantie - Europa

Geräte außerhalb der Garantie können durch den zuständigen AMPROBE- Distributor gegen eine Gebühr ersetzt werden. Ein Verzeichnis der zuständigen Distributoren ist im Abschnitt „Where to Buy“ (Verkaufsstellen) auf der Website www.amprobe.eu zu finden.

Korrespondenzanschrift für Europa*

BEHA-AMPROBE GmbH
In den Engematten 14
79286 Glottertal
Germany
Tel.: +49 (0) 7684 8009 - 0
Fax: +49 (0) 7684 8009 - 410
www.amprobe.de
info@amprobe.de

Auf dem Gerät oder in der Bedienungsanleitung vermerkte Hinweise:

	Warnung vor einer Gefahrenstelle. Bedienungsanleitung beachten.
	Hinweis Bitte unbedingt beachten.
	Vorsicht! Gefährliche Spannung, Gefahr des elektrischen Schlages.
	Durchgängige doppelte oder verstärkte Isolierung entsprechend Klasse II IEC 61140.
	Kennzeichnung elektrischer und elektronischer Geräte (WEEE Richtlinie 2002/96/EG).
	Konformitätszeichen, bestätigt die Einhaltung der gültigen Richtlinien. Die EMV-Richtlinie (89/336/EWG) werden eingehalten. Die Niederspannungsrichtlinie (73/23/EWG) wird ebenfalls eingehalten.
 N10140	Übereinstimmung mit den relevanten australischen Normen

WARNHINWEIS

Die Bedienungsanleitung enthält Informationen und Hinweise, die zu einer sicheren Bedienung und Nutzung des Gerätes notwendig sind.

Vor der Verwendung (Inbetriebnahme) des Gerätes ist die Bedienungsanleitung aufmerksam

Wird die Anleitung nicht beachtet oder sollten Sie es versäumen, die Warnungen und Hinweise zu beachten, können ernste Verletzungen des Anwenders bzw. Beschädigungen des Gerätes eintreten.

Einleitung / Lieferumfang

Das AMPROBE EARTH-TEST ist ein handliches Prüfgerät zur Bestimmung des Erdungswiderstandes. Das Messgerät wurde gemäß den gültigen Vorschriften gebaut und gewährleistet ein sicheres und zuverlässiges Arbeiten.

Das AMPROBE EARTH-TEST zeichnet sich durch folgende Punkte aus:

- Bestimmung des Erdungswiderstandes oder des spezifischen Erdwiderstandes
- 2-, 3- und 4-Leiter-Messung möglich
- Messung nach der Wenner-Methode
- Messstrom größer 10mA
- Messung und Überwachung des Hilfserderwiderstandes und der Sondenwiderstände
- Anzeige des aktuellen Messstroms zur Kontrolle der Messunsicherheit
- Sonden- und Hilfserderwiderstände bis 50 k Ω
- Störspannungserkennung
- Zwei Messfrequenzen (127/140Hz) zur Störspannungsunterdrückung
- Automatisch optimierte Messfrequenzwahl
- Vorwahl der max. zulässigen Berührungsspannung: UL 25/50 V
- Großes, übersichtliches Display
- Energiemanagement
- Gebaut nach DIN VDE 0413 Teil 5, EN61557-5, IEC61557-5

Im Lieferumfang sind enthalten:

- 1 St. EARTH-TEST
- 1 St. Messleitung rot
- 1 St. Messleitung blau
- 1 St. Krokodil-Klemme rot
- 1 St. Krokodil-Klemme blau
- 1 St. Bereitschaftstasche
- 6 St. Batterie 1,5V Mignon IEC LR6
- 1 St. Bedienungsanleitung

Transport und Lagerung

Bitte bewahren Sie die Originalverpackung für eine spätere Versendung, z.B. zur Kalibration, auf. Transportschäden aufgrund von mangelhafter Verpackung sind von der Garantie ausgeschlossen.

Um Beschädigungen zu vermeiden, sollten die Batterien entnommen werden, wenn das Messgerät über einen längeren Zeitraum nicht benutzt wird. Sollte es dennoch zu einer Verunreinigung des Gerätes durch ausgelaufene Batteriezellen gekommen sein, muss das Gerät zur Reinigung und Überprüfung ins Werk eingesandt werden.

Die Lagerung des Gerätes muss in trockenen, geschlossenen Räumen erfolgen. Sollte das Gerät bei extremen Temperaturen transportiert worden sein, benötigt es vor dem Einschalten eine Aklimatisierung von mindestens 2 Stunden.

Sicherheitsmaßnahmen

WARNHINWEIS

Das AMPROBE EARTH-TEST wurde gemäß den Sicherheitsbestimmungen für elektronische Mess- und Prüfgeräte gebaut und hat das Werk in sicherheitstechnisch einwandfreiem Zustand verlassen. Um diesen Zustand zu erhalten, muss der Anwender die Sicherheitshinweise in dieser Anleitung beachten.

- Bei sämtlichen Arbeiten müssen die jeweils gültigen Unfallverhütungsvorschriften der gewerblichen Berufsgenossenschaften für elektrische Anlagen und Betriebsmittel beachtet werden.
- Messungen in gefährlicher Nähe elektrischer Anlagen sind nur nach Anweisung einer verantwortlichen Elektrofachkraft und nicht alleine durchzuführen.
- Überprüfen Sie das Messgerät und die verwendeten Anschlussleitungen vor jedem Einsatz auf äußerliche Schäden. Vergewissern Sie sich, dass das Messgerät und die verwendeten Anschlussleitungen in einwandfreiem Zustand sind. Das Messgerät darf nicht mehr benutzt werden, wenn eine oder mehrere Funktionen ausfallen oder keine Funktionsbereitschaft erkennbar ist.
- Wenn die Sicherheit des Bedieners nicht mehr gewährleistet ist, muss das Gerät außer Betrieb gesetzt und gegen ungewolltes Benutzen gesichert werden. Dies ist der Fall, wenn das Gerät:
 - offensichtliche Beschädigungen aufweist
 - die gewünschten Messungen nicht mehr durchführt
 - zu lange unter ungünstigen Bedingungen gelagert wurde
 - während des Transportes mechanischen Belastungen ausgesetzt war.
- Das Gerät darf nur in dem unter "Technische Daten" spezifizierten Betriebs- und Messbereichen eingesetzt werden.
- Vermeiden Sie eine Erwärmung der Geräte durch direkte Sonneneinstrahlung. Nur so kann eine einwandfreie Funktion und eine lange Lebensdauer gewährleistet werden.
- Das Messgerät darf nur an spannungsfreie Erder angeschlossen werden.

Bestimmungsgemäße Verwendung

WARNHINWEIS

- Das Gerät darf nur in den unter "Technische Daten" spezifizierten Betriebs- und Messbereichen eingesetzt werden.
- Die Betriebssicherheit ist bei Modifizierung oder Umbauten nicht mehr gewährleistet.
- Wartungs- oder Kalibrierarbeiten dürfen nur von unserem Werkspersonal durchgeführt werden.

Allgemeines zur Erdmessung

Der Erdungswiderstand ist der Widerstand zwischen der Bezugs Erde und dem Anschlusspunkt der Erdungsanlage. Die Erdungsanlage wird benötigt, um die einzelnen Anlagenteile und Stromkreise auf ein Bezugspotential möglichst nahe der Bezugs Erde zu bringen. Erdungsmessungen sind in Anlagen, die Schutz durch Abschaltung besitzen, sowie in Blitzschutz-, Fernmelde- und Tankanlagen vorgeschrieben.

Bei der im AMPROBE EARTH-TEST eingebauten Erdungsmessung handelt es sich um eine Erdwiderstandsmessung nach dem Strom/Spannungsverfahren. Die Stromversorgung wird durch die eingebauten Batterien sichergestellt. Die Erdwiderstände werden mit dem Strom-Spannungs-Messverfahren ermittelt. Die Erdung ist ein wesentlicher Teil einer Stromversorgungsanlage. Sie ist erforderlich, um die einzelnen Anlagenteile und Stromkreise auf ein gemeinsames Bezugspotential, nahe der Bezugs Erde, zu bringen. Erdungen werden auch verwendet, um Anlagen vor Überspannungen oder Kurzschlussströmen zu schützen.

Die Erdungswiderstände müssen hinreichend niederohmig sein, Richtwerte sind in den DIN VDE-Bestimmungen festgelegt. Die Erdung bzw. der Erdungswiderstand besteht aus der Erdungsleitung (Potentialausgleichsleiter oder PE), dem Erder (Fundamenterder, Staberder, Banderder..) und dem Erdausbreitungswiderstand. Das ist der Widerstand zwischen dem Erder und der Bezugs Erde.

Um jeden Erder bildet sich ein Spannungstrichter, der von der Form des Erders und dem umgebenden Erdreich abhängig ist. Geht man von einem gleichartig beschaffenen Erdreich aus, mit gleicher Temperatur und gleicher Feuchtigkeit, bilden sich um den Erder Spannungstrichter von konzentrischer Form.

Je niederohmiger der Erdwiderstand ist, desto kleiner sind die Spannungstrichter. Gemessen wird bei der Erdwiderstandsmessung der Spannungsfall, erzeugt von einem bekannten konstanten Strom über den zu messenden Erdwiderstand.

Einflüsse auf die Messgenauigkeit

Das EARTH-TEST bietet die Möglichkeit, eine maximale Messspannung mit der Taste UL 25/50V einzustellen. Das Berührungsspannungslimit sollte im medizinischen bzw. landwirtschaftlichen Bereich auf 25V, bei allen anderen Anwendungen auf 50 V eingestellt werden.

Das Gerät liefert einen Messstrom von mehr als 10mA, dadurch wird ein genaues Messergebnis gewährleistet. Wenn aufgrund des Gesamterdungswiderstandes die durch den Messstrom entstehende Spannung das gewählte Berührungsspannungslimit von 25V erreicht, wird nur mit dem Strom gemessen, der bei dem Berührungsspannungslimit fließt. Wenn das gewählte Berührungsspannungslimit 50V ist, wird der Messstrom bis 50V nicht begrenzt, bei Messspannungen über 50V wird der Messstrom auf 3mA begrenzt. Dadurch wird auch bei schwierigen Messbedingungen, z.B. im steinigem Boden, mit einem ausreichenden Messstrom ein genaues Messergebnis gewährleistet.

An den Erdern anliegende Störspannungen können das Messergebnis beeinflussen. Der Einfluß von Störspannungen ist beim EARTH-TEST sehr gering. Ein präziser Filter unterdrückt alle Störungen, deren Frequenzen verschieden zu der jeweiligen Messfrequenz sind. In Verbindung mit der Möglichkeit, aus zwei Messfrequenzen zu wählen, werden auch bei hohen Störfeldern gute Messergebnisse garantiert.

Bei der automatischen Frequenzwahl wählt das EARTH-TEST diejenige Messfrequenz, bei der die geringsten Störspannungen gemessen werden. Nur wenn die Störfrequenz bekannt ist, sollte die Messfrequenz manuell gewählt werden. Falls einmal so hohe Störspannungen anliegen, die trotz Filter das Messergebnis beeinflussen, wird dies im Display durch "Unoise" angezeigt. Ein weiterer Einfluß auf die Messgenauigkeit haben die Verhältnisse von Hilfserder bzw. Sondenwiderstände zum Erdungswiderstand (RH/RE bzw. RS/RE) und die absoluten Werte der Hilfserder bzw. Sondenwiderstände (RH/RS). Wenn das Verhältnis RH/RE (bzw. RS/RE) den Wert 1000/1 (bzw. 10000/1) überschreitet, dann kann das EARTH-TEST nicht mehr so genau messen, wie in den techn. Daten angegeben. Dies liegt daran, dass dann die zu messende Spannung nur 1/1000 (1/10000) der im Messkreis anliegenden Spannung ist. Wenn die Hilfserder und Sondenwiderstände zu groß werden, wird dies im Display mit "⚠ Limit RH" angezeigt. Es sollte dann versucht werden, einen besseren Kontakt der Erder bzw. Erdspieße zum Erdreich zu bekommen (Erdspieße z.B. tiefer einschlagen, Erdreich anfeuchten), mehrere Spiesse parallel verwenden.

Begriffe

Erder (E):	Der Erder ist ein Leiter, der in die Erde oder in einem Fundament eingebettet ist und mit der Erde in leitender Verbindung steht (beispielsweise ein Fundamenterder in Beton).
Erder Sonde (ES):	Anschluß der dem Erder nächstliegenden Sonde.
Bezugserde:	Ein Bereich der Erde, der von dem zugehörigen Erder soweit entfernt ist, dass zwischen beliebigen Punkten dieses Bereiches keine vom Erdungsstrom herrührenden merklichen Spannungen auftreten.
Hilfserder (H):	Zusätzlicher Erder, über den der zum Zwecke der Messung benötigte Messstrom fließt.
Probe (S):	Ein zusätzlicher Erder, vorzugsweise ein Erdspieß, der zum Zweck der Messung als Potentialabgriff für die Bezugserde dient.
Ausbreitungswiderstand eines Erders:	Der Widerstand des Erdreiches zwischen dem Erder und der Bezugserde.

Bedienelemente und Anzeigen

Anzeigen im LC-Display :

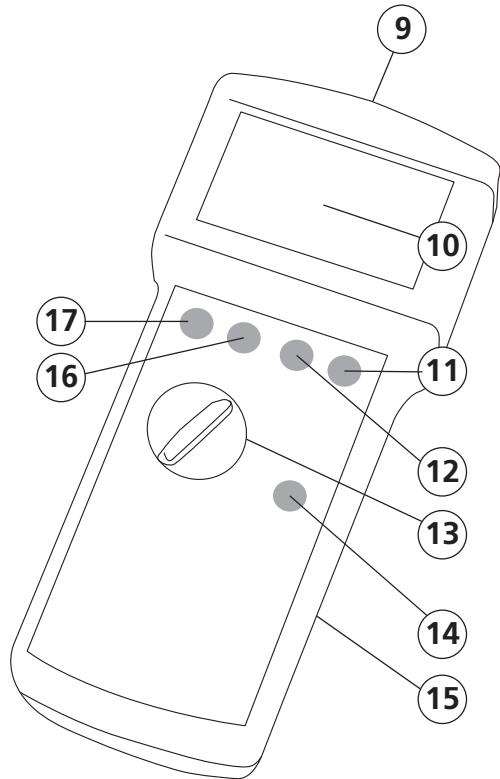
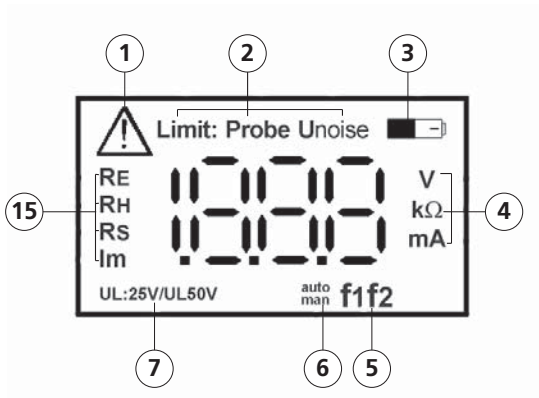
(siehe auch Anzeigen/ Fehlermeldungen)

- 1) Symbol für Grenzwertüberschreitung
- 2) Limit: Anzeige bei Hilfserder/Sondenfehler
Probe: Sondenfehler
Unoise: Fremdspeisung
- 3) Batteriezustandsanzeige
- 4) Einheitenanzeige abhängig von der Messgröße (8)
- 5) Frequenzanzeige ($f_1=127\text{Hz}$ / $f_2=140\text{Hz}$)
- 6) automatische/manuelle Frequenzwahl
- 7) Berührungsspannungsgrenzwert
- 8) Messgrößenanzeige

Bedienelemente

- 9) Anschlußbuchsen für die Messleitungen:

Hilfserder	(H)	schwarz
Sonde	(S)	gelb
Erder-Sonde	(ES)	rot
Erder	(E)	blau
- 10) LC Display
- 11) Taste UL für Berührungsspannung: 50V/ 25V
- 12) Taste f1/f2 für manuelle Frequenzwahl ($f_1=127\text{Hz}$ / $f_2=140\text{Hz}$)
- 13) Messartwahlschalter
- 14) Taste "Start"
- 15) Batteriefach auf Geräterückseite
- 16) Taste auto/man für automatische/ manuelle Frequenzwahl (siehe auch 4.1)
- 17) Taste "Anzeige" zur Auswahl der Messgrößenanzeige im Display
RE - Erdungswiderstand
RH - Hilfserderwiderstand
RS - Sondenwiderstand
 I_M - Messstrom



Durchführen von Messungen

WARNHINWEIS

- Messungen in gefährlicher Nähe elektrischer Anlagen sind nur nach Anweisung einer verantwortlichen Elektrofachkraft und nicht alleine durchzuführen.
- Zur Durchführung der Erdungsmessung mit Erdspeießen (Hilfserder/Sonde) wird das AM-PROBE Zubehör-Set (Best.-Nr. 1048) benötigt.
- Das Messgerät darf nur an spannungsfreie Erder angeschlossen werden.
- Vor dem Einschlagen der Erder oder Sonden ist der Untergrund auf evtl. vorhandene gefährliche Objekte (Rohre, Leitungen, usw.) zu untersuchen.
- Liegt eine Spannung größer ca. 5V AC/DC an den Messleitungen an, so wird die Warnmeldung 'Unoise' angezeigt.
- Um Fehlmessungen zu vermeiden, muss auf parallel zur Messanordnung verlegte metallische Rohre, Erdkabel oder im freien Gelände auf Wasseradern oder Wurzeln geachtet werden. Außerdem ist der spezifische Erdungswiderstand witterungsbedingten jahreszeitlichen Schwankungen unterworfen.

Erdungswiderstandsmessung (Zweileitermethode)

Bei der **Zweileitermessung** wird der Widerstand zwischen dem zu messenden Erder und einem bekannten Erder gemessen, hier kann z.B. der PEN-Leiter eines TN-Systems benutzt werden. Vom Messergebnis ist der Widerstand des bekannten Erders abzuziehen. Diese Messung lässt sich auch in einem dicht bebauten oder in versiegelten Gebieten durchführen, wo Sonden und Hilfs-erder nicht gesetzt werden können.

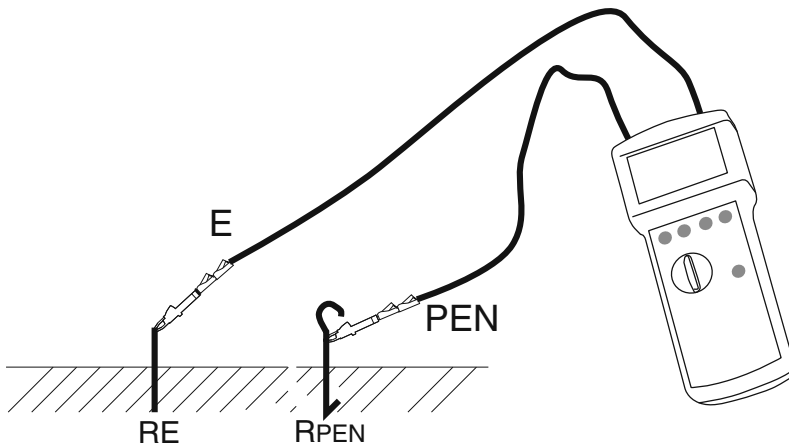


Bild 3: Messprinzip, zweipolige Messung:

- 1) Zum messenden Erder mit der Buchse (E) und bekannter Erder mit der Buchse (H) verbinden siehe auch Bild 3.
- 2) Drehen Sie den Messartwahlschalter (13) in Stellung "2 pol".
- 3) Stellen Sie die gewünschte Berührungsspannung mit der Taste "UL" (11) ein.
- 4) Falls gewünscht stellen Sie die manuelle Frequenzwahl mit der Taste "auto/man" (16) und die Messfrequenz mit der Taste "f1/f2" (12) ein.
- 5) Taste "Start" (14) drücken.
- 6) Lesen Sie das Messergebnis vom Display ab.

• siehe auch Anzeige / Fehlermeldungen

- Nach erfolgter Messung kann je nach Messergebnis mit der Taste "Anzeige" (17) zwischen den Anzeigen für Erdungswiderstand und Messstrom (I_M) gewählt werden.
- Mit dem Messbereich "2pol" können auch herkömmliche Widerstände gemessen werden. Verbinden Sie dazu am Prüfling die Leitungen E und H. Der Prüfstrom fließt über die Leitungen E und H, die Messspannung wird ebenfalls über E und H gemessen.

Erdungswiderstandsmessung (Dreileitermethode)

- Zur Durchführung dieser Messung benötigen Sie das AMPROBE Zubehör-Set (option)

WARNHINWEIS

Bei der **Dreileitermessung** werden 2 Erdspeife (ein Hilfserder und eine Sonde) im Abstand von mindestens 20m gesetzt. Diese Anordnung kann auch in Dreiecksform erfolgen. Der Messstrom wird zwischen Hilfserder und Erder eingespeist und der Spannungsfall zwischen Erder und Sonde gemessen. Der Widerstand der Messleitung vom Messgerät zum Erder wird mitgemessen. Mit dieser Messung können z.B. die Erdungswiderstände von Fundament-, Baustellen- und Blitzschutzerdern ermittelt werden.

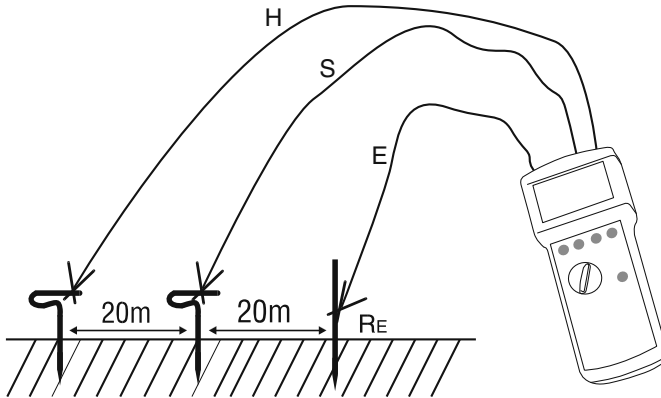


Bild 4: dreipolige Messung

- 1) Ordnen Sie die Erdspeife für Hilfserder und Sonde, wie in Bild 4 gezeigt an. Diese Anordnung kann auch in Dreiecksform erfolgen. Der Abstand zwischen Sonde und Erder bzw. Sonde und Hilfserder muss mindestens 20m betragen. Legen Sie die Leitungen sorgfältig aus und achten Sie darauf, dass die Leitungen möglichst nicht parallel nebeneinander liegen und sich nicht kreuzen, um Einkopplungen zu vermeiden.
- 2) Verbinden Sie die Messleitungen mit den Erdspeifen gemäß Bild 4.
- 3) Drehen Sie den Messartwahlschalter (13) in Stellung "3 pol".
- 4) Stellen Sie die gewünschte Berührungsspannung mit der Taste "UL" (11) ein.
- 5) Falls gewünscht stellen Sie die manuelle Frequenzwahl mit der Taste "auto/man" (16) und die Messfrequenz mit der Taste "f1/f2" (12) ein.
- 6) Taste "Start" (14) drücken.
- 7) Lesen Sie das Messergebnis vom Display ab.

- 8) Zur Kontrolle der Messung vertauschen Sie die Anschlüsse für Sonde und Hilfserder oder Sie versetzen den Erdspeiß für die Sonde ca. 1...2m in Richtung Erder (bzw. anschließend in Richtung Hilfserder) und messen nochmals. Zeigt das Messgerät bei allen Messanordnungen vergleichbare Messwerte an, so liegt die Sonde außerhalb der vom Erder und Hilfserder erzeugten Spannungstrichter im Bereich der Bezugserde. Zeigt das Messgerät größere Abweichungen an, so liegt die Sonde eventuell im Spannungstrichter des Erders oder des Hilfsrers. Um dies zu umgehen, gibt es zwei Möglichkeiten:

A: Vergrößern Sie den Abstand zwischen Erder und Hilfserder
oder,

B: setzen Sie den Erdspeiß für die Sonde, wie in Bild 5 gezeigt, auf einen Punkt der Geraden außerhalb des Spannungstrichters, und wiederholen Sie diese Messung nochmals.

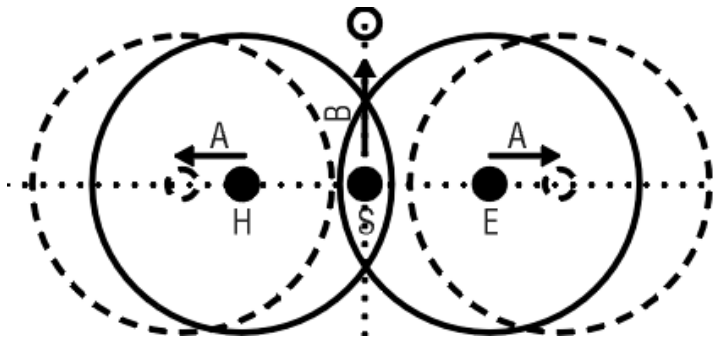


Bild 5: Spannungstrichter

- Nach erfolgter Messung kann mittels der Taste "Anzeige" (17) zwischen den Messgrößen Erdungswiderstand (RE), Hilfserderwiderstand (RH) Sondenwiderstand (RS), und Messstrom (IM) umgeschaltet werden.
- Die Reihenfolge der Anschlüsse muss eingehalten werden, sonst kann das Gerät die Messung nicht durchführen und zeigt eine Fehlermeldung:
 - die Anzeige "Probe" weist auf einen Fehler bei der Verbindung von S, E hin (Unterbrechung, Vertauschung auch mit H oder E)
 - die Anzeige "Limit I_M " weist auf eine Unterbrechung bei der Verbindung von H hin.
- siehe auch Anzeigen / Fehlermeldungen

Erdungswiderstandsmessung (Vierleitermethode)

Die **Vierleitermessung** wird anstelle der Dreileitermessung angewendet, wenn es sich um sehr niederohmige Erdungswiderstände handelt und der Einfluss der Messleitung zwischen Messgerät und Erder das Messergebnis wesentlich beeinflusst.

Hier wird der zu messende Erder über die Anschlüsse E und ES angeschlossen der Messartenschalter jedoch auf "4pol" gestellt und eine Messung wie beschrieben durchgeführt.

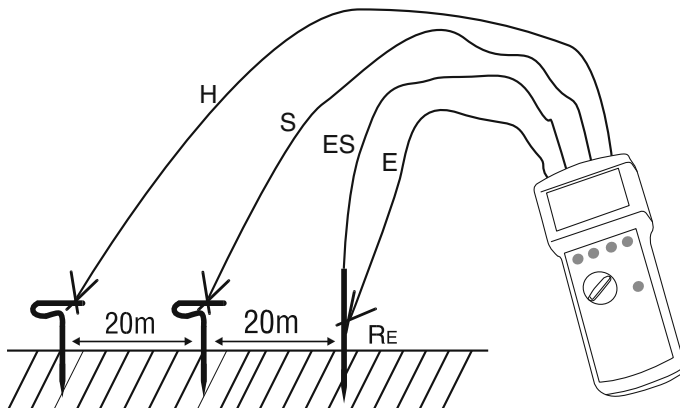


Bild 6: vierpolige Messung

Spezifischer Erdwiderstandsmessung (Vierleitermethode nach Wenner)

- Zur Durchführung dieser Messung benötigen Sie das AMPROBE Zubehör-Set (option)

Für die Berechnung des Ausbreitungswiderstandes von Erdern und Erdungsanlagen ist die Ermittlung des spezifischen Erdwiderstandes notwendig. Der gemessene Erdwiderstand muss zur Berechnung des spezifischen Erdwiderstandes in eine Formel eingesetzt werden:

$$\rho = 2 \cdot \pi \cdot a \cdot RE.$$

Diese Messung wird mittels vier Erdspeissen durchgeführt, die in einer Linie im gleichen Abstand 'a' in den zu messenden Erdboden eingeschlagen werden. Die vier Erdspeisse werden in eine Tiefe von maximal 1/5 des Abstands 'a' eingeschlagen. Der Erdwiderstand wird etwa bis zur Tiefe des Abstands 'a' erfasst. Um Fehlmessungen zu vermeiden, muss auf parallel zur Messanordnung verlegte metallische Rohre, Erdkabel oder im freien Gelände auf Wasseradern oder Wurzeln geachtet werden. Außerdem ist der spezifische Erdwiderstand witterungsbedingten jahreszeitlichen Schwankungen unterworfen.

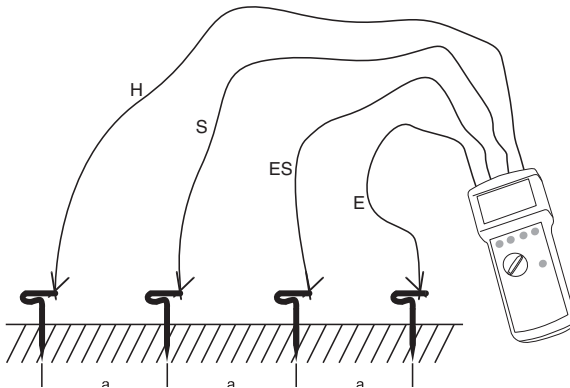


Bild 7: spezifischer Erdwiderstand

- 1) Ordnen Sie die vier Erdspeisse für E, ES, S, H in einer Linie, wie in Bild 7 gezeigt an. Der Abstand zwischen den einzelnen Sonden muss der, in der Formel benutzten Abstand entsprechen. Legen Sie die Leitungen sorgfältig aus und achten Sie darauf, dass die Leitungen möglichst nicht parallel nebeneinander liegen und sich nicht kreuzen, um Einkopplungen zu vermeiden.
- 2) Verbinden Sie die Messleitungen mit den Erdspeissen gemäß Bild 7.
- 3) Drehen Sie den Messartwahlschalter (13) in Stellung "4 pol".
- 4) Stellen Sie die gewünschte Berührungsspannung mit der Taste "UL" (11) ein.
- 5) Falls gewünscht stellen Sie die manuelle Frequenzwahl mit der Taste "auto/man" (16) und die Messfrequenz mit der Taste "f1/f2" (12) ein.
- 6) Taste "Start" (14) drücken.
- 7) Lesen Sie das Messergebnis vom Display ab.

- Nach erfolgter Messung kann mittels der Taste "Anzeige" (17) zwischen den Messgrößen Erdungswiderstand (RE), Helferwiderstand (RH), Sondenwiderstand (RS) und Messstrom (IM) umgeschaltet werden.
- Die Reihenfolge der Anschlüsse muss eingehalten werden, sonst kann das Gerät die Messung nicht durchführen und zeigt eine Fehlermeldung:
 - die Anzeige "Probe" weist auf einen Fehler bei der Verbindung von S, E hin (Unterbrechung, Vertauschung auch mit H oder E)
 - die Anzeige "Limit I_M " weist auf eine Unterbrechung bei der Verbindung von H
- siehe auch Anzeigen / Fehlermeldungen
- Diese Vorgehensweise wird an verschiedenen Orten und mit jeweils variierenden Abständen `a` durchgeführt. Dadurch wird das gewünschte Areal auf seine Bodenbeschaffenheit untersucht. Dabei gibt eine Messung mit größeren Abständen "a" Aufschluss über den spezifischen Erdwiderstand in größeren Tiefen.

Tabelle 1:
Hinweise zur Auswertung der Messergebnisse

Bodenbeschaffenheit	Erdungswiderstand Staberder		Erdungswiderstand Banderder	
	3m Tiefe	5m Tiefe	5m Länge	10m Länge
Moorboden/ Sumpf	10 Ω	5 Ω	12 Ω	6 Ω
Ackerboden / Lehm	33 Ω	17 Ω	40 Ω	20 Ω
Feuchter Sandboden	66 Ω	33 Ω	80 Ω	40 Ω
Trockener Sandboden	330 Ω	165 Ω	400 Ω	200 Ω
Steiniger Boden	1000 Ω	500 Ω	1200 Ω	60 Ω
Beton 1:5			160 Ω	80 Ω

Tabelle 2 zeigt die Werte, welche unter Berücksichtigung des Gebrauchsfehlers bei einem gefordertem Richtwert noch angezeigt werden dürfen.

geforderter Widerstand	max. angezeigter Messwert
0.3 Ω	0.18 Ω
0.4 Ω	0.28 Ω
0.5 Ω	0.37 Ω
0.6 Ω	0.46 Ω
0.7 Ω	0.56 Ω
0.8 Ω	0.65 Ω
0.9 Ω	0.75 Ω
1.0 Ω	0.84 Ω
2.0 Ω	1.84 Ω
3.0 Ω	2.79 Ω
4.0 Ω	3.73 Ω
5.0 Ω	4.67 Ω

Beispiel: geforderter Erdungswiderstand 1Ω das EARTH-TEST darf max. 0,84Ω anzeigen.

Anzeigen / Fehlermeldungen

Meldung	Ursache
	Hinweis auf Grenzwertüberschreitung in einer Messgröße
 Probe	Unterbrechung / Vertauschung Sonde (S) und Erdsonde (ES) (bei 4 pol Messung) Unterbrechung / Vertauschung Sonde (S) und Erder (E) (bei 3 pol Messung) Unterbrechung Hilfserder(H) und Erder (E) (2 pol)
 Limit I _M	Unterbrechung Hilfserder(H) und Erder (E) (bei 4/3 pol Messung)
 Unoise	Fremdspannung hat zulässigen Wert überschritten, Messwerte entsprechen nicht mehr den Spezifikationen!
 Limit RH	Messwert Hilfserder (RH) > 50 kΩ oder Hilfserder (RH) > 1000RE Messwerte entsprechen nicht mehr den Spezifikationen!
 Limit RS	Messwert Sondenwiderstand (RS) > 50 k Ω oder Sondenwiderstand RS > 10000 x RE Messwerte entsprechen nicht mehr den Spezifikationen!
 Limit RE	Messwert Erdungswiderstand (RE) > 2 kΩ (bei 4/3 pol Messung) Die angezeigten Messwerte für RH, RS sind dann RH + RE, RS + RE !
 Limit	Messwert R > 2kΩ (bei 2 pol Messung)
Batterie-Symbol	Batterien sind fast leer und müssen gewechselt werden. Die Messergebnisse entsprechen nicht mehr den Spezifikationen!
Batt-Symbol blinkt	Batterien sind leer, der Betrieb des Gerätes ist nicht möglich

Energiemanagement

Ca. 5 Minuten nach der letzten Tastenbedienung schaltet sich das Gerät automatisch ab (Auto-Power-Off). Die Wiederinbetriebnahme kann danach nur durch den Drehschalter aus der Schalterposition „OFF" erfolgen.

Bei nahezu entladenen Batterien erscheint das Batterie-Symbol (3), das Gerät funktioniert weiterhin, jedoch ohne Anspruch auf Einhaltung der Spezifikationen.

Werden die Batterien weiter verwendet und entladen, schaltet sich das Gerät bei Erreichen der minimalen Batteriespannung ab, das Batterie-Symbol (3) blinkt für einige Sekunden. Das Gerät läßt sich dann nicht mehr einschalten.

Wartung

Das Messgerät benötigt bei einem Betrieb gemäß der Bedienungsanleitung keine besondere Wartung.

Reinigung

Sollte das Gerät durch den täglichen Gebrauch schmutzig geworden sein, kann es mit einem feuchten Tuch und etwas mildem Haushaltsreiniger gesäubert werden.

- Bevor Sie mit der Reinigung beginnen, vergewissern Sie sich, dass das Gerät ausgeschaltet und von allen Stromkreisen getrennt ist.
- Niemals scharfe Reiniger oder Lösungsmittel zur Reinigung verwenden.

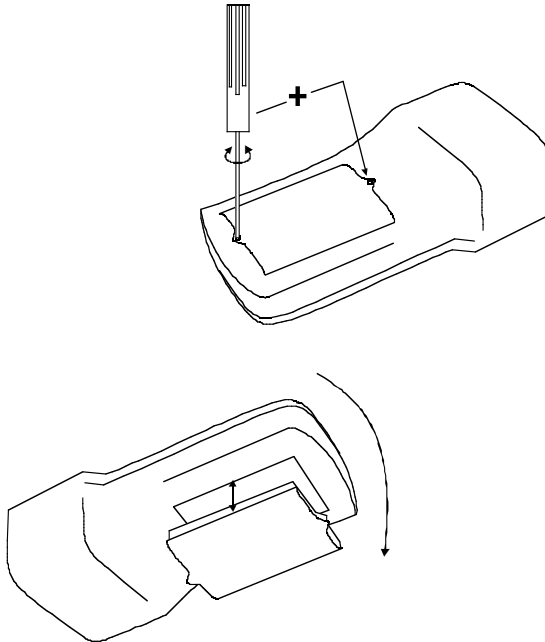
Batteriewechsel



WARNHINWEIS

- Vor dem Batteriewechsel muss das Gerät von allen angeschlossenen Messkreisen entfernt werden.
- Versuchen Sie nie eine Batteriezelle zu zerlegen. Werfen sie nie eine Batterie ins Feuer, da es dadurch zu einer Explosion kommen kann. Setzen Sie Batterien nie Feuchtigkeit aus.
- Es dürfen nur die in den technischen Daten spezifizierten Batterien benutzt werden (1,5 V Mignon Typ IEC LR6).
- Bitte denken Sie an dieser Stelle auch an unsere Umwelt. Werfen Sie verbrauchte Batterien nicht in den normalen Hausmüll, sondern geben Sie die Batterien bei Sondermülldeponien oder Sondermüllsammelungen ab. Meist können Batterien auch dort abgegeben werden, wo neue Batterien gekauft werden.
- Es müssen die jeweils gültigen Bestimmungen bzgl. der Rücknahme, Verwertung und Beseitigung von gebrauchten Batterien beachtet werden.
- Wird das Gerät über einen längeren Zeitraum nicht benutzt, sollten die Batterien entnommen werden. Ist es zu einer Verunreinigung des Gerätes durch ausgelaufene Batteriezellen gekommen, muss das Gerät zur Reinigung und Überprüfung in unser Werk eingesandt werden.

- 1) Wenn das Symbol für Batterie (3) im Display erscheint, sollten diese gewechselt werden.
- 2) Das Gerät mit dem Messmethodenwahlschalter ausschalten.
- 3) Schrauben (2) auf der Geräterückseite lösen.
- 4) Batteriefachdeckel (durch leichten Schlag des Gerätes in den Handballen) abheben.
- 5) verbrauchte Batterien entnehmen
- 6) Neue Batterien polgerecht einsetzen.
- 7) Batteriefachdeckel aufsetzen und Schrauben eindrehen.
- 8) Das Gerät ist betriebsbereit.



Kalibrierintervall

Um die angegebenen Genauigkeiten der Meßergebnisse zu erhalten, muß das Gerät regelmäßig durch unseren Werksservice kalibriert werden. Wir empfehlen ein Kalibrierintervall von einem Jahr. Bei häufigem Einsatz des Gerätes bzw. bei Anwendungen unter rauen Bedingungen sind kürzere Fristen zu empfehlen. Sollte das Gerät wenig benutzt werden, so kann das Kalibrierintervall auf bis zu 3 Jahre verlängert werden

Technische Daten

Anzeige 3stellig, LCD, 1999 Digit
Messdauer ca. 3-5s
Messprinzip Strom-Spannungs-Messverfahren nach DIN VDE 0413, Teil 5

Messspannung 25V/ 50V umschaltbar
Strom-/Leistungsaufnahme ca. 10mA/ 0,1W max. 500mA kurzzeitig beim Messen
Messstrom max. 12mA
Frequenz (f1/f2) 127Hz/ 140Hz umschaltbar

Messmethode 2 pol/ 3 pol/ 4 pol
Messbereich Toleranz:
Erdungswiderstand (RE): 0,05 - 2,00 Ohm $\pm(4\% + 0,1 \text{ Ohm})$ $\pm(6\% + 0,1 \text{ Ohm})^*$
2,00 - 1999 Ohm $\pm(4\% + 2 \text{ Digit})$ $\pm(6\% + 3 \text{ Digit})^*$
Hilfserder-, Sondenwiderstand 0,1 -50 kOhm $\pm(10\% + 3 \text{ Digit})^*$
Messstromanzeige (I_M) 0,1 - 13mA $\pm(10\% + 3 \text{ Digit})^*$
*Gebrauchsfehler

Nenngebrauchsbereich:

Polungsrichtig bei 3/4pol. Messung
Störspannung 0...5V, max 10% der Messspannung
Hilfserder/ Sondenwiderstand max. 50 kOhm
Verhältnis RH/RE max. 1000/1
Verhältnis RS/RE max. 10000/1
Erdungswiderstand max. 2 kOhm

Referenzbereich:

Polungsrichtig bei 3/4pol. Messung
Störspannung 0 V
Hilfserder/ Sondenwiderstand 0 Ohm
Erdungswiderstand max. 2 kOhm
Auto-Power-Off Nach ca. 5 min
Stromversorgung 6 x 1,5 V Mignon Typ IEC LR6
Low Batt-Grenze 6,6V $\pm 5\%$ (Ausschalten des Gerätes bei 6.1V $\pm 5\%$)
Batteriebetriebsdauer ca. 1Jahr bei durchschnittl. Gebrauch
Maße (LxBxT) 235x105x68 mm
Gewicht ca. 640g (incl. 6 x Batt.)

Umgebungsbedingungen:

Betriebs Temperatur.

/ Feuchte

0°C...40°C / max. 80% bei 0°C...40°C

Referenz Temperaturbereich +17°C...+27°C

Lager Temperaturbereich -20°C...+60°C

Gebaut nach

DIN VDE 0413/ T 5, EN 61557-5, IEC 61557-5

Schutzklasse

II

Überspannungskategorie

CAT III / 300V gegen Erde

Verschmutzungsgrad

2

Schutzart

IP50

Höhe über N.N.

bis zu 2000m

Änderungen vorbehalten !

11/2007

PAEB30872261



EARTH-TEST
TELARIS Series
Earth-Resistance Tester
Mode d'emploi

Mode d'emploi

Limitation de garantie et de responsabilité	3
Réparation.....	3
Indications mentionnées sur l'appareil et dans le mode d'emploi :	5
Introduction / Etendue des fournitures	6
Transport et stockage	6
Mesures de sécurité	7
Utilisation conforme à l'usage prévu.....	7
Généralités concernant la mesure de la résistance à la terre	8
Facteurs influant sur la précision de mesure	8
Terminologie	9
Éléments de commande et affichages.....	10
Réalisation de mesures	12
Mesure de la résistance de passage à la terre (méthode bifilaire).....	13
Mesure de la résistance de passage à la terre (méthode trifilaire)	14
Mesure de la résistance de passage à la terre (méthode quadrifilaire)	16
Mesure de la résistance spécifique de la terre (méthode quadrifilaire selon Wenner)	17
Mentions / Messages d'erreur	19
Gestion de l'énergie	20
Maintenance	20
Nettoyage	20
Changement des piles.....	20
Intervalle de calibration	21
Caractéristiques techniques	22

Limitation de garantie et de responsabilité

Nous garantissons, pour la durée légale de garantie à compter de la date d'achat, que ce produit Amprobe est exempt de défauts de matière et de fabrication. Cette garantie ne couvre pas les fusibles, piles à usage unique ou les dommages causés par des accidents, la négligence, l'usage abusif, les modifications ou des conditions d'exploitation anormales ou un maniement incorrect. Les points de vente ne sont pas habilités à élargir cette garantie au nom de Amprobe. Pour solliciter les interventions du service après-vente pendant la période de garantie, veuillez renvoyer le produit avec la preuve d'achat à un centre de service après-vente agréé AMPROBE ou à un revendeur spécialisé/distributeur Amprobe. Pour les détails, voir la section « Réparation » ci-dessus. CETTE GARANTIE CONSTITUE LE SEUL ET UNIQUE DROIT LEGAL A UN DEDOMMAGEMENT. TOUTES AUTRES GARANTIES, QU'ELLES SOIENT REGIES PAR CONTRAT OU PRESCRITES PAR LA LOI, Y COMPRIS LA GARANTIE LEGALE DE COMMERCIALISABILITE ET D'ADEQUATION A UN BUT PRECIS SONT DECLINEES, LE FABRICANT REFUSANT TOUTE RESPONSABILITE DES DOMMAGES INDIRECTS, ACCESSOIRES OU CONSECUTIFS REPOSANT SUR UNE CAUSE OU THEORIE JURIDIQUE QUELCONQUE. Comme certains Etats ou pays n'admettent pas l'exclusion ou la limitation d'une garantie implicite ni de dommages accessoires ou consécutifs, cette limitation de garantie n'est peut-être pas valable pour vous.

Réparation

Tous les appareils sous garantie ou hors garantie renvoyés en réparation ou calibration doivent être accompagnés des renseignements suivants : Nom du client, nom de la firme, adresse, numéro de téléphone et preuve d'achat. Prière de joindre en outre à l'instrument de mesure une brève description du problème ou de la maintenance désirée ainsi que les lignes de mesure. Les frais des réparations non couverts par la garantie ou de remplacement d'instruments doivent être réglés par chèque, virement bancaire, carte de crédit (numéro de carte de crédit et date d'expiration) ou une commande doit être concrètement adressée à AMPROBE.

Veillez lire la déclaration de garantie subséquente et contrôler la pile avant de demander des réparations. Pendant la période de garantie, tous les appareils défectueux peuvent être renvoyés à un distributeur AMPROBE pour remplacement par un produit identique ou similaire. Un répertoire des distributeurs agréés se trouve à la section « Where to Buy » (points de vente) sur le site web www.amprobe.eu. Aux Etats-Unis et au Canada, les appareils peuvent en outre être renvoyés à un centre de service après-vente AMPROBE (adresse : voir plus loin) pour réparation ou remplacement.

Réparations et remplacement en dehors de la garantie

Etats-Unis et Canada Pour les réparations en dehors de la garantie aux Etats-Unis et au Canada, les appareils sont renvoyés à un centre de service après-vente AMPROBE. Vous pouvez obtenir des renseignements sur les prix de réparation et de remplacement actuellement en vigueur auprès de AMPROBE ou du point de vente.

Aux Etats-Unis	Au Canada
Amprobe Test Tools	Amprobe Test Tools
Everett, WA 98203	Mississauga, ON L4Z 1X9
Tél. : 877-993-5853	Tél. : 905-890-7600
Fax : 425-446-6390	Fax : 905-890-6866








Réparations et remplacement en dehors de la garantie - Europe

Les appareils hors garantie peuvent être remplacés à titre onéreux par le distributeur AMPROBE compétent. Un répertoire des distributeurs agréés se trouve à la section « Where to Buy » (points de vente) sur le site web www.amprobe.eu.

Adresse de correspondance pour l'Europe*

BEHA-AMPROBE GmbH
In den Engematten 14
79286 Glottertal
Allemagne
Tél. : +49 (0) 7684 8009 - 0
Fax : +49 (0) 7684 8009 - 410
www.amprobe.eu
info@amprobe.eu

Indications mentionnées sur l'appareil et dans le mode d'emploi :

	Avertissement, présence d'une zone dangereuse. Veuillez respecter le mode d'emploi.
	Veuillez respecter strictement cette consigne.
	Prudence ! Tension dangereuse, risque d'électrocution.
	Isolation continue doublée ou renforcée, conforme à la classe II IEC 61140.
	Marquage d'appareils électriques et électroniques (directive DEEE 2002/96/CE)
	Label de conformité confirmant le respect des directives en vigueur. La directive CEM (89/336/CEE) est respectée. La directive basse tension (73/23/CEE) est également respectée.
 N10140	Conformité aux normes australiennes pertinentes

CONSIGNE D'AVERTISSEMENT

Le mode d'emploi contient des informations et consignes nécessaires à un maniement et une utilisation sûrs de l'appareil.

Avant d'utiliser (mettre en service) l'appareil, veuillez lire attentivement son mode d'emploi.

En cas de non-respect du mode d'emploi ou si vous ne tenez pas compte des avertissements et consignes, vous risquez des blessures graves ou mortelles et/ou d'endommager l'appareil.

Introduction / Etendue des fournitures

Le TESTEUR DE TERRE AMPROBE est un testeur commode destiné à mesurer la résistance de passage à la terre. Cet instrument de mesure a été construit conformément aux prescriptions en vigueur et garantit un travail sûr et fiable.

Le TESTEUR DE TERRE AMPROBE se distingue par les points suivants :

- Détermination de la résistance de passage à la terre ou de la résistance spécifique de la terre
- Mesures bifilaires, trifilaires et quadrifilaires possibles
- Mesure selon la méthode de Wenner
- Intensité de mesure supérieure à 10 mA
- Mesure et surveillance de la résistance du conducteur de terre auxiliaire et des résistances des sondes
- Affichage de l'intensité de mesure actuelle afin de contrôler l'imprécision de mesure
- Résistances des sondes et des conducteurs de terre auxiliaires jusqu'à 50 k Ω
- Détection des tensions perturbatrices
- Deux fréquences de mesure (127/140 Hz) pour inhiber les tensions perturbatrices
- Choix automatiquement optimisé de la fréquence de mesure
- Présélection de la tension de contact max. admissible : UL 25/50 V
- Grand écran clairement structuré
- Gestion de l'énergie
- Construction conforme à DIN VDE 0413 section 5, EN61557-5, IEC61557-5

Eléments compris dans la livraison :

- 1 TESTEUR DE TERRE
- 1 ligne de mesure rouge
- 1 ligne de mesure bleu
- 1 pince crocodile rouge
- 1 pince crocodile bleue
- 1 sacoche de rangement
- 6 piles 1,5 V Mignon IEC LR6
- 1 mode d'emploi

Transport et stockage

Veillez conserver l'emballage d'origine en vue d'une réexpédition ultérieure, pour la calibration par exemple. Les dégâts survenus pendant le transport en raison d'un emballage incorrect ne sont pas couverts par la garantie.

Afin d'éviter tout endommagement, il faudrait enlever les piles si l'instrument de mesure doit rester sans servir pendant une période prolongée. Si néanmoins des piles devaient contaminer l'appareil en coulant, il faudra le renvoyer à l'usine pour nettoyage et vérification.

Le stockage de l'appareil doit avoir lieu dans des locaux secs et fermés. Si l'appareil a été transporté par des températures extrêmes, une acclimatation d'au moins deux heures est nécessaire avant de l'allumer.

CONSIGNE D'AVERTISSEMENT

Le TESTEUR DE TERRE AMPROBE a été construit conformément aux dispositions de sécurité visant les appareils de mesure et testeurs électroniques, il a quitté l'usine dans un état de sécurité technique impeccable. Afin de maintenir cet état, l'utilisateur doit respecter les consignes de sécurité figurant dans ce mode d'emploi.

- Lors de tous travaux, les prescriptions préventives des accidents édictées par les mutuelles d'assurance professionnelles, en leur libellé en vigueur à la date concernée et visant les installations et moyens d'exploitation électriques, devront être respectées.
- Les mesures à proximité dangereuse d'installations électriques ne pourront être effectuées que sur instructions d'un électricien qualifié et jamais par une personne seule.
- Avant chaque utilisation, vérifiez si l'instrument de mesure et les câbles de raccordement utilisés présentent des dégâts apparents. Assurez-vous que l'instrument de mesure et les câbles de raccordement utilisés se trouvent dans un état impeccable. Cessez d'utiliser l'instrument de mesure lorsqu'une ou plusieurs fonctions deviennent défectueuses ou si l'appareil n'est visiblement plus prêt à fonctionner.
- Si la sécurité de l'opérateur n'est plus garantie, il faut mettre l'appareil hors service et le sécuriser contre toute utilisation intempestive. Ceci est le cas lorsque l'appareil :
 - présente des dégâts manifestes
 - ne permet plus d'effectuer les mesures souhaitées
 - a été stocké trop longtemps dans des conditions défavorables
 - a été exposé à des contraintes mécaniques pendant le transport.
- Cet appareil ne pourra être utilisé que dans les domaines de fonctionnement et les plages de mesure spécifiés dans les « caractéristiques techniques ».
- Evitez tout échauffement des appareils par le rayonnement solaire direct. Ce n'est qu'ainsi qu'un fonctionnement correct et une longue durée de vie peuvent être garantis.
- L'instrument de mesure ne pourra être raccordé qu'à des conducteurs de terre eux-mêmes hors tension.

Utilisation conforme à l'usage prévu

CONSIGNE D'AVERTISSEMENT

- Cet appareil ne pourra être utilisé que dans les domaines de fonctionnement et les plages de mesure spécifiés dans les « caractéristiques techniques ».
- La sécurité de fonctionnement n'est plus garantie en cas de modification ou de transformations.
- Les travaux de maintenance ou de calibration sont exclusivement réservés au personnel de notre usine.

Généralités concernant la mesure de la résistance à la terre

La résistance de passage à la terre est la résistance régnant entre la terre de référence et le point de raccordement de l'installation de mise à la terre. Une installation de mise à la terre est nécessaire pour amener les différentes parties de l'installation et circuits électriques sur un potentiel de référence le plus proche possible de la terre de référence. Les mesures du passage à la terre sont prescrites dans les installations protégées par coupure, ainsi que dans les installations parafoudre, installations de télécommunication et installations à citerne(s).

La mesure du passage à la terre incorporée dans le TESTEUR DE TERRE AMPROBE est une mesure de la résistance de la terre selon le procédé intensité/tension. L'alimentation électrique est assurée par les piles incorporées. Les résistances à la terre sont déterminées selon le procédé de mesure intensité / tension. Le circuit de mise à la terre est une partie essentielle d'une installation d'alimentation électrique. Il est nécessaire pour amener les différentes parties de l'installation et circuits électriques sur un potentiel de référence conjoint proche de la terre de référence. Les circuits de mise à la terre servent également à protéger des installations contre les surtensions et les intensités de court-circuit.

Les résistances de passage à la terre doivent présenter une valeur ohmique suffisamment basse ; des valeurs indicatives ont été fixées dans les dispositions DIN VDE. Le circuit de mise à la terre et la résistance de passage à la terre sont formés par le fil de passage à la terre (conducteur d'équipotentialisation ou PE), le conducteur de terre (dispositif pénétrant dans les fondations, tige de prise de terre, ruban de terre, etc.) et la résistance de diffusion de la terre. Il s'agit de la résistance entre le conducteur de terre et la terre de référence.

Autour de chaque conducteur de terre se forme un « cône de tension » qui dépend de la forme du conducteur de terre et du matériau terreux qui l'entoure. Si l'on part d'un matériau terreux de composition, température et humidité identiques, des cônes de tension concentriques se forment autour du conducteur de terre.


Plus la valeur ohmique de la résistance de la terre est faible, plus ces cônes de tension sont petits. La mesure de la résistance de la terre consiste à mesurer la chute de tension issue d'un courant constant connu, via précisément la résistance de la terre à mesurer.

Facteurs influant sur la précision de mesure

Il est possible de régler le TESTEUR DE TERRE sur une tension de mesure maximale de 25/50 V par la touche UL. Dans le domaine médical et agricole, il faudrait régler la limite de tension de contact sur 25 V, et sur 50 V dans toutes les autres applications.

L'appareil livre une intensité de mesure supérieure à 10 mA, ce qui garantit un résultat de mesure précis. Si en raison de la résistance totale du circuit de mise à la terre la tension engendrée par l'intensité de mesure dépasse le plafond de tension de contact choisi (25 V), l'appareil ne mesure qu'avec l'intensité circulant à hauteur de la limite de tension de contact. Si la limite de tension de contact a été réglée sur l'appareil à 50 V, l'intensité de mesure n'est pas limitée à 50 V ; lorsque les tensions de mesure dépassent 50 V, l'intensité de mesure est limitée à 3mA. Cette fonctionnalité garantit que même dans des conditions de mesure difficiles, p. ex. dans un sol pierreux, l'intensité de mesure soit suffisante pour obtenir un résultat de mesure précis.

Les tensions perturbatrices présentes aux conducteurs de terre peuvent influencer sur le résultat de mesure. Les tensions perturbatrices influent très peu sur le TESTEUR DE TERRE. Un filtre précis inhibe toutes les perturbations dont les fréquences diffèrent de la fréquence de mesure respective. Outre la possibilité de choisir entre deux fréquences de mesure, l'appareil garantit de bons résultats de mesure aussi en présence de champs perturbateurs élevés.

En mode Sélection automatique de fréquence, le TESTEUR DE TERRE choisit la fréquence de mesure dans laquelle il mesure les tensions perturbatrices les plus faibles. Il ne faudrait choisir manuellement la fréquence de mesure que lorsque la fréquence perturbatrice est connue. En présence occasionnelle de tensions perturbatrices élevées qui influencent le résultat de mesure malgré la présence du filtre, l'appareil le signale par la mention « Unoise ». Les rapports entre un conducteur de terre auxiliaire et des résistances de sondes d'une part, et la résistance de passage à la terre d'autre part (RH/RE et RS/RE) exercent une influence supplémentaire sur la précision de mesure ; même chose pour les rapports entre les valeurs absolues des conducteurs de terre auxiliaires et les résistances des sondes (RH/RS). Lorsque le rapport RH/RE (ou RS/RE) dépasse la valeur 1000/1 (ou 10000/1), le TESTEUR DE TERRE ne peut plus mesurer avec autant de précision qu'indiqué dans les caractéristiques techniques. Cela vient du fait que la tension à mesurer ne représente plus que le 1/1000e (1/10000e) de la tension présente dans le circuit de mesure. Lorsque les résistances des conducteurs de terre auxiliaires et des sondes deviennent trop importantes, l'appareil le signale par la mention «  Limit RH ». Il faudra essayer d'obtenir un meilleur contact entre les conducteurs de terre et/ou les piquets d'une part, et la terre d'autre part (enfoncez par exemple plus profondément les piquets de terre, humidifiez la terre, utilisez plusieurs piquets en parallèle).

Terminologie

Conducteur de terre (E) :	Le conducteur de terre est un conducteur noyé dans la terre ou dans des fondations et qui se trouve en liaison conductrice avec la terre (exemple : un conducteur de terre dans des fondations en béton).
Conducteur de terre sonde (ES) :	Raccordement de la sonde la plus proche du conducteur de terre.
Terre de référence :	Zone de la terre distante du conducteur de terre afférent à un point tel qu'entre deux points quelconques de cette zone l'appareil ne mesure aucune tension notable découlant de l'intensité de passage à la terre.
Conducteur de terre auxiliaire (H) :	Conducteur de terre supplémentaire par lequel circule l'intensité requise aux fins de la mesure.
Probe (S) :	Conducteur de terre supplémentaire (un piquet de terre de préférence) servant, aux fins de la mesure, de moyen de captage du potentiel pour la terre de référence.
Résistance de diffusion d'un conducteur de terre :	Il s'agit de la résistance de la terre entre le conducteur de terre et la terre de référence.

Éléments de commande et affichages

Mentions sur l'écran LC :

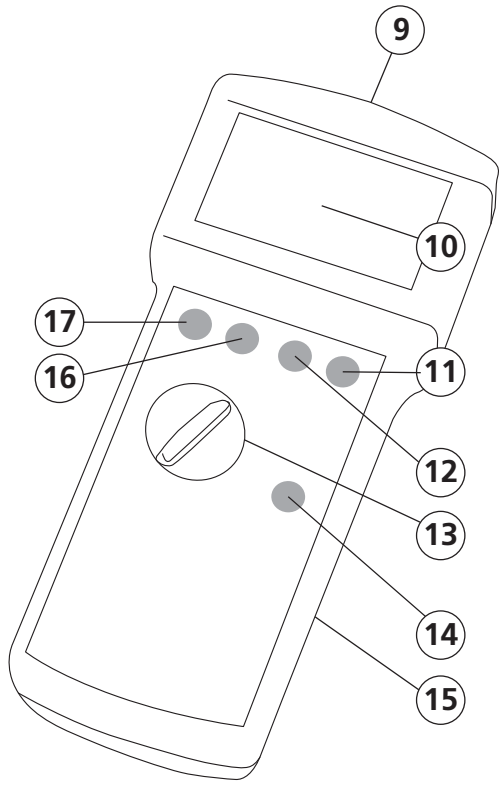
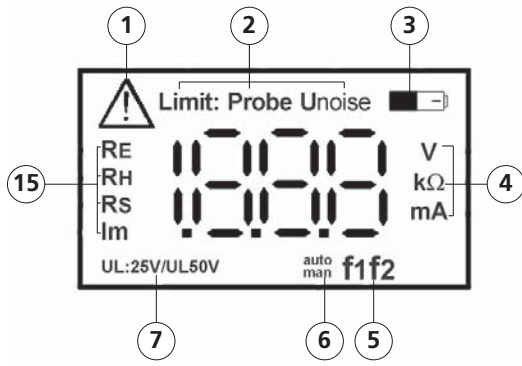
(voir également Mentions / Messages d'erreur)

- 1) Symbole de dépassement de plancher/plafond
- 2) Limit : affichage en cas de défaut du conducteur de terre auxiliaire / de la sonde
Probe : défaut de sonde
Unoise : tension tierce
- 3) Affichage de l'état des piles
- 4) Affichage d'unités en fonction du paramètre concerné (8)
- 5) Affichage de la fréquence ($f_1 = 127 \text{ Hz}$ / $f_2 = 140 \text{ Hz}$)
- 6) Sélection automatique/manuelle de la fréquence
- 7) Plafond de la tension de contact
- 8) Affichage du paramètre

Éléments de commande

- 9) Douilles où brancher les lignes de mesure :

Conducteur de terre auxiliaire	(H)	noir
Sonde	(S)	jaune
Sonde du conducteur de terre	(ES)	rouge
Conducteur de terre	(E)	bleu
- 10) Ecran LC
- 11) Touche UL pour la tension de contact : 50 V / 25 V
- 12) Touche f1/f2 pour la sélection manuelle de la fréquence ($f_1 = 127 \text{ Hz}$ / $f_2 = 140 \text{ Hz}$)
- 13) Sélecteur de mode de mesure
- 14) Touche « Start »
- 15) Compartiment à piles au dos de l'appareil
- 16) Touche auto/man de sélection automatique / manuelle de la fréquence
(voir aussi la section 4.1)
- 17) Touche « Display » pour sélectionner l'affichage du paramètre voulu sur l'écran
RE - Résistance de passage à la terre
RH - Résistance du conducteur de terre auxiliaire
RS - Résistance de la sonde
 I_M - Intensité de mesure





CONSIGNE D'AVERTISSEMENT

- Les mesures à proximité dangereuse d'installations électriques ne pourront être effectuées que sur instructions d'un électricien qualifié et jamais par une personne seule.
- Pour réaliser la mesure du passage à la terre au moyen de piquets de terre (conducteur de terre auxiliaire / sonde), vous aurez besoin du kit d'accessoires AMPROBE (n° de réf. 1048).
- L'instrument de mesure ne pourra être raccordé qu'à des conducteurs de terre lui-même hors tension.
- Avant d'enfoncer les piquets reliés aux conducteurs de terre ou aux sondes, il faut vérifier la présence éventuelle d'objets dangereux dans le sol (conduites, lignes, etc.).
- Si la tension présente au niveau des lignes de mesure est supérieure à 5V AC/DC, la mention d'avertissement 'Unoise' s'affiche.
- Pour éviter des mesures erronées, il faut faire attention aux tuyaux métalliques, câbles de terre ou, sur terrain libre, aux voies d'eau souterraines ou aux racines présentant un tracé parallèle au montage de mesure. En outre, la résistance spécifique de passage à la terre est sujette à des variations météorologiques et saisonnières.

Mesure de la résistance de passage à la terre (méthode bifilaire)

Dans la **mesure bifilaire**, l'opération consiste à mesurer la résistance entre le conducteur de terre à mesurer et un conducteur connu ; possibilité d'utiliser ici le conducteur PEN d'un circuit TN. Du résultat de mesure, il faut soustraire la résistance du conducteur de terre connu. Cette mesure se laisse réaliser aussi dans une zone densément construite ou dans des zones scellées où il n'est pas possible de placer de sondes et conducteurs de terre auxiliaires.

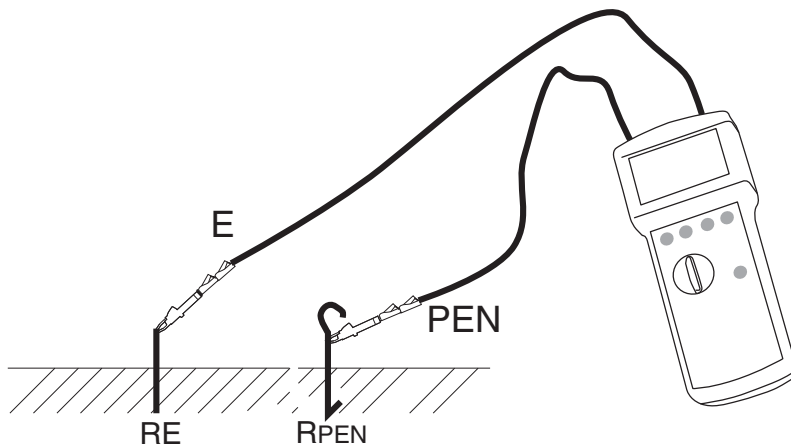


Figure 3 : principe de mesure, mesure bipolaire :

- 1) Reliez le conducteur de terre à mesurer à la prise (E), et le conducteur de terre connu à la douille (H), voir également la fig. 3.
- 2) Amenez le sélecteur de mode de mesure (13) sur la position « 2 pol ».
- 3) Réglez la tension de contact souhaitée par la touche « UL » (11).
- 4) Si vous le souhaitez, réglez la fréquence sur la sélection manuelle par la touche « auto/man » (16) et la fréquence de mesure par la touche « f1/f2 » (12).
- 5) Appuyez sur la touche « Start » (14).
- 6) Lisez le résultat de mesure sur l'écran.

• voir également Mentions / Messages d'erreur

- Une fois la mesure accomplie et suivant le résultat de mesure, vous pouvez, par la touche « Display » (17), choisir entre l'affichage de la résistance de passage à la terre et l'intensité de mesure (I_M).
- La plage de mesure « 2 pol » permet aussi de mesurer les résistances conventionnelles. Pour ce faire, reliez les fils E et H à l'objet à tester. L'intensité d'essai circule via les fils E et H, la tension de mesure est également mesurée via E et H.

Mesure de la résistance de passage à la terre (méthode trifilaire)

- Pour réaliser cette mesure, vous aurez besoin du kit d'accessoires AMPROBE (option)

CONSIGNE D'AVERTISSEMENT

La **mesure trifilaire** consiste à placer 2 piquets de terre (un conducteur de terre auxiliaire, une sonde) à une distance de 20 m minimum l'un de l'autre. Cette configuration peut également prendre la forme d'un triangle. L'intensité de mesure est injectée entre le conducteur de terre auxiliaire et le conducteur de terre ; la mesure de la chute de tension a lieu entre le conducteur de terre et la sonde. La résistance de la ligne de mesure allant de l'instrument de mesure au conducteur de terre est mesurée au passage. Cette mesure permet de déterminer par exemple les résistances de passage des conducteurs de terre dans les fondations, sur les chantiers et des parafoudres.

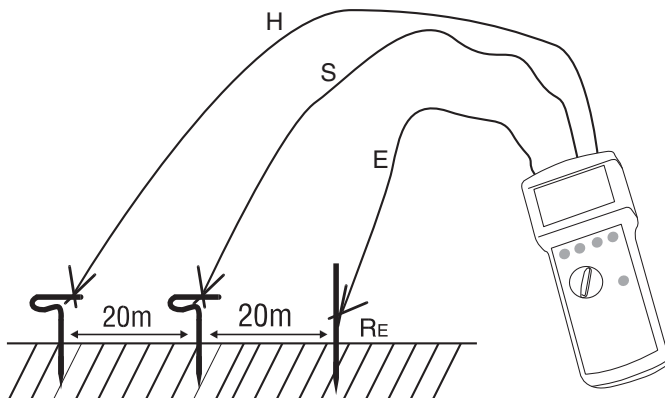


Figure 4 : mesure tripolaire

- 1) Agencez les piquets du conducteur de terre auxiliaire et de la sonde comme le montre la figure 4. Cette configuration peut également prendre la forme d'un triangle. La distance entre la sonde et le conducteur de terre d'une part, et le conducteur de terre auxiliaire d'autre part, doit être d'au minimum 20 m. Posez les fils soigneusement, veillez à ce qu'ils soient le moins parallèles possible, et qu'ils ne se croisent pas pour éviter les injections.
- 2) Reliez les lignes de mesure aux piquets de terre conformément à la figure 4.
- 3) Amenez le sélecteur de mode de mesure (13) sur la position « 3 pol ».
- 4) Réglez la tension de contact souhaitée par la touche « UL » (11).
- 5) Si vous le souhaitez, réglez la fréquence sur la sélection manuelle par la touche « auto/man » (16) et la fréquence de mesure par la touche « f1/f2 » (12).
- 6) Appuyez sur la touche « Start » (14).
- 7) Lisez le résultat de mesure sur l'écran.

- 8) Pour contrôler la mesure, permutuez les branchements de la sonde et du conducteur de terre auxiliaire ou rapprochez le piquet de la sonde d'env. 1 à 2 mètres du conducteur de terre (et ensuite du conducteur de terre auxiliaire), puis répétez la mesure. Si l'instrument de mesure mesure des valeurs comparables dans toutes les configurations de mesure, cela signifie que la sonde se trouve en dehors du cône de tension généré, dans la zone de la terre de référence, par le conducteur de terre et le conducteur de terre auxiliaire. Si l'instrument de mesure affiche des dérives assez importantes, il se peut que la sonde se trouve dans le cône de tension du conducteur de terre ou du conducteur de terre auxiliaire. Deux possibilités pour contourner ce problème :
- A:** Augmentez l'écart entre le conducteur de terre et le conducteur de terre auxiliaire
- ou
- B :** placez le piquet de terre de la sonde, comme illustré par la figure 5, sur un point de la droite situé hors du cône de tension, puis refaites la mesure.

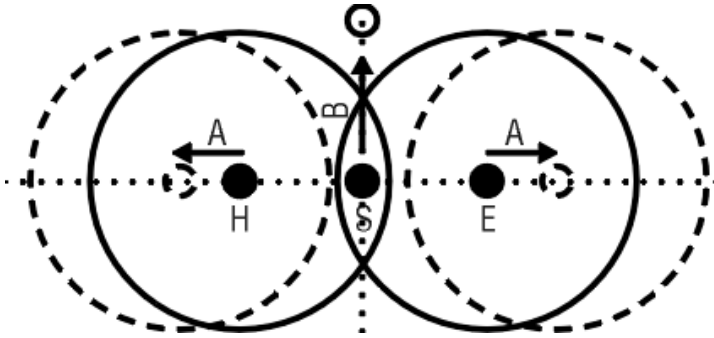


Figure 5 : cône de mesure

- Une fois la mesure effectuée, la touche « Display » (17) permet de commuter entre les paramètres suivants : résistance de passage à la terre (RE), résistance du conducteur de terre auxiliaire (RH), résistance de la sonde (RS) et intensité de mesure (IM).
- Il faut respecter l'ordre des branchements, faute de quoi l'appareil ne pourra pas effectuer la mesure et affichera un message d'erreur :
 - La mention « Probe » signale un défaut dans la liaison S - E (interruption, permutation, également avec H ou E)
 - La mention « Limit I_M » signale une interruption dans la liaison de H.
- voir également Mentions / Messages d'erreur

Mesure de la résistance de passage à la terre (méthode quadrifilaire)

La mesure quadrifilaire s'utilise à la place de la mesure trifilaire en présence de très faibles résistances ohmiques de passage à la terre et lorsque la ligne de mesure entre l'instrument de mesure et le conducteur de terre influe radicalement sur le résultat de mesure.

Dans ce cas, il faut relier le conducteur de terre à mesurer via les bornes E et ES, mais régler le sélecteur de mode sur « 4 pol » et réaliser une mesure comme décrit.

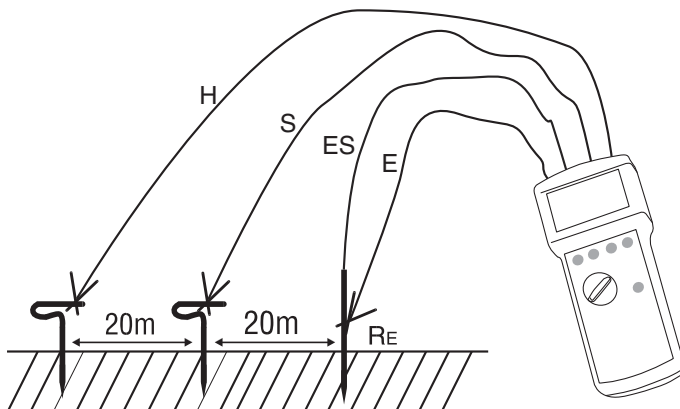


Figure 6 : mesure quadrifilaire

Mesure de la résistance spécifique de la terre (méthode quadrifilaire selon Wenner)

- Pour réaliser cette mesure, vous aurez besoin du kit d'accessoires AMPROBE (option)

Pour calculer la résistance de diffusion des conducteurs de terre et installations de mise à la terre, il faut déterminer la résistance spécifique de la terre. La résistance mesurée de la terre doit entrer dans une formule servant à calculer la résistance spécifique de la terre :

$$\rho = 2 \cdot \pi \cdot a \cdot RE.$$

La mesure a lieu à l'aide de quatre piquets de terre enfoncés alignés et équidistants (selon l'écart 'a') dans le sol à mesurer. L'enfoncement des quatre piquets de terre à lieu à une profondeur représentant au maximum 1/5e de l'écart « a ». La résistance de la terre est saisie approximativement jusqu'à une profondeur équivalente à l'écart « a ». Pour éviter des mesures erronées, il faut faire attention aux tuyaux métalliques, câbles de terre ou, sur terrain libre, aux voies d'eau souterraines ou aux racines présentant un tracé parallèle au montage de mesure. En outre, la résistance spécifique de la terre est sujette à des variations météorologiques et saisonnières.

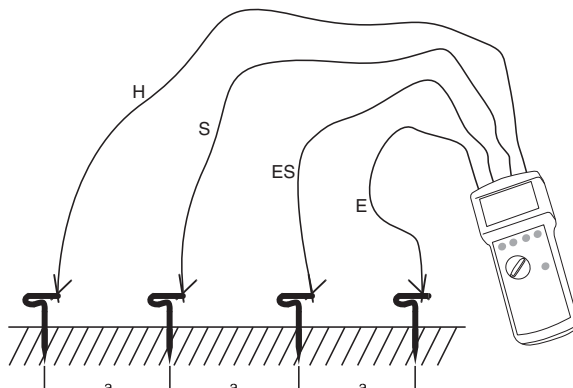


Fig. 7 : résistance spécifique de la terre

- 1) Plantez les quatre piquets de terre E, ES, S et H alignés, comme le montre la figure 7. L'écart entre les différentes sondes doit correspondre à l'écart utilisé dans la formule. Posez les fils soigneusement, veillez à ce qu'ils soient le moins parallèles possible, et qu'ils ne se croisent pas pour éviter les injections.
- 2) Reliez les lignes de mesure aux piquets de terre conformément à la figure 7.
- 3) Amenez le sélecteur de mode de mesure (13) sur la position « 4 pol ».
- 4) Réglez la tension de contact souhaitée par la touche « UL » (11).
- 5) Si vous le souhaitez, réglez la fréquence sur la sélection manuelle par la touche « auto/man » (16) et la fréquence de mesure par la touche « f1/f2 » (12).
- 6) Appuyez sur la touche « Start » (14).
- 7) Lisez le résultat de mesure sur l'écran.

- Une fois la mesure effectuée, la touche « Display » (17) permet de commuter entre les paramètres suivants : résistance de passage à la terre (RE), résistance du conducteur de terre auxiliaire (RH), résistance de la sonde (RS) et intensité de mesure (IM).
- Il faut respecter l'ordre des branchements, faute de quoi l'appareil ne pourra pas effectuer la mesure et affichera un message d'erreur :
 - La mention « Probe » signale un défaut dans la liaison S - E (interruption, permutation, également avec H ou E)
 - La mention « Limit I_M » signale une interruption dans la liaison de H.
- Voir également Mentions / Messages d'erreur
- Répétez cette procédure en différents endroits et en utilisant sur chaque des écarts « a » différents. Ceci permet d'analyser la nature du sol sur la zone voulue. A ce titre, une mesure avec des écarts « a » plus importants renseigne sur la résistance spécifique de la terre à des profondeurs plus importantes.

Tableau 1 :

Nature du sol	Résistance de passage à la terre Tige de terre		Résistance de passage à la terre Ruban de terre	
	3 m de profondeur	5 m de profondeur	5 m de longueur	10 m de longueur
Sol de lande/ marais	10 Ω	5 Ω	12 Ω	6 Ω
Sol de champ / Argile	33 Ω	17 Ω	40 Ω	20 Ω
Sol sablonneux humide	66 Ω	33 Ω	80 Ω	40 Ω
Sol sablonneux sec	330 Ω	165 Ω	400 Ω	200 Ω
Sol pierreux	1000 Ω	500 Ω	1200 Ω	60 Ω
Béton 1:5			160 Ω	80 Ω

Consignes relatives à l'analyse des résultats de mesure

Le **tableau 2** montre les valeurs que l'appareil a encore le droit d'afficher, pour une valeur indicative exigée, en tenant compte du défaut d'utilisation.

Résistance exigée	Valeur de mesure max. affichée
0.3 Ω	0.18 Ω
0.4 Ω	0.28 Ω
0.5 Ω	0.37 Ω
0.6 Ω	0.46 Ω
0.7 Ω	0.56 Ω
0.8 Ω	0.65 Ω
0.9 Ω	0.75 Ω
1.0 Ω	0.84 Ω
2. 0 Ω	1.84 Ω
3.0 Ω	2.79 Ω
4.0 Ω	3.73 Ω
5.0 Ω	4.67 Ω

Exemple : Résistance de passage à la terre exigé 1Ω Le TESTEUR DE TERRE doit afficher 0,84Ω max.

Mentions / Messages d'erreur

Message	Cause
⚠	Signalement de ce que la valeur plancher/plafond d'un paramètre a été dépassée
⚠ Probe	Interruption / Permutation de la sonde (S) et de la sonde de terre (ES) (si mesure quadripolaire) Interruption / Permutation de la sonde (S) et du conducteur de terre (E) (si mesure tripolaire) Interruption du conducteur de terre auxiliaire (H) et du conducteur de terre (E) (si mesure bipolaire)
⚠ Limit I _M	Interruption du conducteur de terre auxiliaire (H) et du conducteur de terre (E) (si mesure quadri/tripolaire)
⚠ Unoise	La tension tierce a dépassé la valeur admissible, les valeurs mesurées ne sont plus conformes aux spécifications !
⚠ Limit RH	Valeur de mesure du conducteur de terre auxiliaire (RH) > 50 kΩ ou du conducteur de terre auxiliaire (RH) > 1000RE Les valeurs mesurées ne sont plus conformes aux spécifications !
⚠ Limit RS	Valeur de mesure de la résistance de la sonde (RS) > 50 kΩ ou résistance de la sonde RS > 10000 x RE Les valeurs mesurées ne sont plus conformes aux spécifications !
⚠ Limit RE	Valeur de mesure de la résistance de passage à la terre (RE) > 2 kΩ (si mesure quadri/tripolaire) Les valeurs de mesure affichées pour RH et RS sont dans ce cas RH + RE, RS + RE !
⚠ Limit	Valeur de mesure R > 2kΩ (si mesure bipolaire)
Symbole de pile	Les piles sont presque vides et devront être remplacées. Les résultats de mesure ne sont plus conformes aux spécifications !
Le symbole de la pile clignote	Les piles sont vides, l'appareil ne peut plus fonctionner

Gestion de l'énergie

Env. 5 minutes après la dernière pression sur une touche, l'appareil s'éteint automatiquement (mise hors service automatique). Ensuite, la remise en service ne pourra avoir lieu que par le sélecteur rotatif, en lui faisant quitter la position « OFF ».

Lorsque les piles sont pratiquement vides, leur symbole (3) s'affiche ; l'appareil continue de fonctionner, mais ne respecte plus forcément les spécifications.

Si vous continuez d'utiliser et décharger les piles, l'appareil s'éteint une fois atteinte la tension-batterie minimum (le symbole de pile (3) clignote auparavant pendant quelques secondes). Ensuite, impossible de rallumer l'appareil.

Maintenance

L'instrument de mesure ne demande aucune maintenance particulière si vous l'utilisez conformément au mode d'emploi.

Nettoyage

Si l'appareil s'est sali pendant l'utilisation journalière, vous pouvez le nettoyer avec un chiffon humide et un peu de détergent ménager doux.

- Avant de commencer le nettoyage, assurez-vous que l'appareil est éteint et déconnecté de tous les circuits électriques.
- N'utilisez jamais de détergents ou solvants agressifs pour le nettoyage.

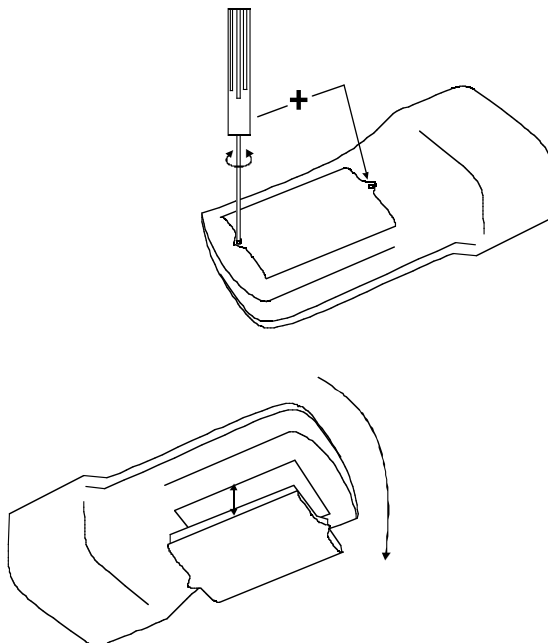
Changement des piles



CONSIGNE D'AVERTISSEMENT

- Avant de changer les piles, débranchez l'appareil de tous les circuits électriques raccordés.
- N'essayez jamais d'ouvrir une pile. Ne mettez jamais une pile au feu, car elle pourrait exploser. N'exposez jamais les piles à l'humidité.
- N'utilisez que des piles conformes aux caractéristiques techniques spécifiées (1,5 V Mignon, type IEC LR6).
- Pensez ici svp à respecter notre environnement. Ne jetez pas les piles usagées avec les déchets ménagers ordinaires, remettez-les à un centre d'enfouissement technique spécial ou de collecte des déchets spéciaux. Le plus souvent, les piles peuvent également être remises au point de vente des piles neuves.
- Les dispositions, en leur libellé en vigueur à la date respective, visant la reprise, la valorisation et l'élimination des piles devront être respectées.
- Si l'appareil doit rester sans servir pendant une période prolongée, il faudra en retirer les piles. Si des piles ont contaminé l'appareil en coulant, il faudra le renvoyer à l'usine pour nettoyage et vérification.

- 1) Si le symbole de la pile (3) s'affiche, c'est le signe qu'il faut changer les piles.
- 2) Éteignez l'appareil par le sélecteur de méthode de mesure.
- 3) Dévissez les vis (2) situées au dos de l'appareil.
- 4) Soulevez le couvercle de l'appareil (en tapant doucement l'appareil dans la paume de la main).
- 5) Retirez les piles usagées
- 6) Mettez les piles neuves en place en respectant les polarités.
- 7) Remettez en place le couvercle du compartiment à piles et vissez les vis.
- 8) L'appareil est de nouveau prêt à fonctionner.



Intervalle de calibration

Afin de garantir les précisions de mesure indiquées de l'appareil, il faut le faire régulièrement recalibrer par notre service après-vente. Nous recommandons un intervalle de calibration d'un an. Si l'appareil sert fréquemment ou en cas d'applications dans des conditions dures, nous recommandons de raccourcir les intervalles. Si l'appareil sert peu, l'intervalle de calibration pourra être porté à 3 ans.

Caractéristiques techniques

Ecran	LCD 3 caractères, 1999 nombres
Durée de mesure	env. 3 à 5 s
Principe de mesure	Procédé de mesure intensité / tension selon DIN VDE 0413, section 5

Tension de mesure	commutable entre 25V et 50V
Intensité / Puissance absorbée	env. 10 mA/ 0,1 W max. 500 mA brièvement pendant la mesure
Intensité de mesure	12 mA max.
Fréquence (f1/f2)	commutable entre 127Hz et 140Hz

Méthode de mesure	2 pol/ 3 pol/ 4 pol
Résistance de passage à la terre (RE) :	Plage de mesure Tolérance : 0,05 - 2,00 Ohm $\pm(4 \% + 0,1 \text{ Ohm})$ $\pm(6 \% + 0,1 \text{ Ohm})^*$ 2,00 - 1999 Ohm $\pm(4 \% + 2 \text{ chiffres})$ $\pm(6 \% + 3 \text{ chiffres})^*$
Résistance du conducteur de terre auxiliaire, résistance de la sonde	0,1 -50 kOhm $\pm(10 \% + 3 \text{ chiffres})^*$
Affichage de l'intensité de mesure (I_M)	0,1 - 13 mA $\pm(10 \% + 3 \text{ chiffres})^*$
* Erreur d'utilisation	

Plage nominale d'utilisation :

Dans le bon sens des polarités	en cas de mesures tripolaires / quadripolaires
Tension perturbatrice	0...5 V, max 10 % de la tension de mesure
Résistance du conducteur de terre auxiliaire / Résistance de la sonde	max. 50 kOhm
Rapport RH/RE	max. 1000/1
Rapport RS/RE	max. 10000/1
Résistance de passage à la terre	max. 2 kOhm

Plage de référence :

Dans le bon sens des polarités	en cas de mesures tripolaires / quadripolaires
Tension perturbatrice	0 V
Résistance du conducteur de terre auxiliaire / Résistance de la sonde	0 Ohm
Résistance de passage à la terre	max. 2 kOhm
Mse hors service automatique	au bout de 5 min env.
Alimentation électrique	6 piles de 1,5 V Mignon, type IEC LR6
Seuil de pile affaiblie	6,6 V $\pm 5 \%$ (l'appareil s'éteint à 6,1 V $\pm 5 \%$)
Autonomie des piles	env. 1 an si nombre d'utilisations moyen
Dimensions (Lxlxp)	235 x 105 x 68 mm
Poids	env. 640 g (y compris 6 x piles/batt.)

Conditions ambiantes :

Température de service	0 °C...40 °C / max. 80 % à 0 °C...40 °C
/ Humidité	+17 °C...+27 °C
Plage de températures de référence	
Plage de températures de stockage	-20 °C...+60 °C
Appareil construit selon	DIN VDE 0413/ T 5, EN 61557-5, IEC 61557-5
Classe de protection	II
Catégorie de surtension	CAT III / 300V par rapport à la terre
Degré d'encrassement	2
Degré de protection	IP50
Hauteur au-dessus du niveau de la mer	jusqu'à 2 000m



EARTH-TEST
TELARIS Series
Earth-Resistance Tester
Manual de instrucciones

Manual

Índice de contenidos.....	Página
Garantía legal limitada y limitación de responsabilidad	3
Reparación	3
Indicaciones que se incluyen en el instrumento o en el manual de instrucciones:	5
Introducción / Volumen de suministro.....	6
Transporte y almacenamiento	6
Medidas de seguridad	7
Uso apropiado.....	7
Información general acerca de la medición de puesta a tierra	8
Influencias sobre la precisión de medición	8
Conceptos	9
Elementos de manejo e indicaciones.....	10
Realización de mediciones	12
Medición de la resistencia de puesta a tierra (método de dos conductores)	13
Medición de la resistencia de puesta a tierra (método de tres conductores)	14
Medición de la resistencia de puesta a tierra (método de cuatro conductores)	16
Medición específica de la resistencia de puesta a tierra (método de cuatro conductores según Wenner)	17
Indicaciones / Mensajes de error	19
Gestión de la energía	20
Mantenimiento	20
Limpieza	20
Cambio de batería	20
Intervalo de calibración	21
Datos técnicos	22

Garantía legal limitada y limitación de responsabilidad

Se garantiza que, durante el periodo legal de garantía a partir de la fecha de compra, el presente producto Amprobe no presenta defectos de fabricación ni de material. Esta garantía no cubre elementos tales como resistencias, baterías de un solo uso o bien los daños causados por accidentes, negligencia, uso inapropiado, realización de modificaciones en el instrumento o bien daños causados por la utilización en condiciones anómalas o por la manipulación incorrecta. Los puntos de venta no están autorizados ampliar la garantía en el nombre de Amprobe. Para reclamar la prestación de servicios durante el período de validez de la garantía, el producto se deberá enviar junto con la prueba de compra a un Centro de servicio AMPROBE o a un comercio especializado/distribuidor Amprobe. Véase el apartado "Reparación" de arriba para más detalles al respecto. ESTA GARANTÍA CONSTITUYE EL ÚNICO Y EXCLUSIVO DERECHO LEGAL DE INDEMNIZACIONES POR DAÑOS Y PERJUICIOS. TODAS LAS DEMÁS GARANTÍAS, YA SEAN ESTIPULADAS POR CONTRATO O REGULADAS LEGALMENTE, INCLUYENDO AQUELLAS IMPLÍCITAS PARA LA ADECUACIÓN DE UN PROPÓSITO DETERMINADO O POR COMERCIALIZACIÓN QUEDAN POR LA PRESENTE DESCONOCIDAS. EL FABRICANTE NO ASUME RESPONSABILIDAD LEGAL ALGUNA POR LOS DAÑOS O PÉRDIDAS, TANTO ESPECIALES, INDIRECTOS COMO RESULTANTES, QUE SURJAN POR CUALQUIER CAUSA O TEORÍA LEGAL. Debido a que algunos estados o países no permiten la exclusión de una garantía legal implícita o de los daños resultantes, esta limitación de responsabilidad puede no tener efecto para usted.

Reparación

Junto con todos los instrumentos, que deberán enviarse para su reparación o ajuste, en el marco de la garantía o fuera de ella, deberá adjuntarse lo siguiente: nombre del cliente, nombre de la empresa, dirección, número de teléfono, y comprobante de compra. Adicionalmente, debe incluirse una breve descripción del problema o el mantenimiento que desea que se efectúe, así como los cables de medición del medidor. Las tasas relativas a reparaciones fuera de la garantía o para la sustitución de instrumentos, se deberán abonar mediante cheque, giro, tarjeta de crédito (número de la tarjeta de crédito y fecha de vencimiento) o se deberá formular una orden para AMPROBE.

Por favor, lea la siguiente declaración de garantía y compruebe la batería antes de solicitar la realización de reparaciones. Durante el período de validez de la garantía, todos los instrumentos se podrán enviar para su sustitución por otro instrumento de las mismas características o por un producto similar a su distribuidor AMPROBE. En el apartado "Where to Buy" (puntos de venta) de la página de Internet www.amprobe.eu podrá consultar una lista con los distribuidores autorizados. Además, en EE.UU. y en Canadá existe la posibilidad de enviar instrumentos a un Centro de servicio AMPROBE (véase más abajo para consultar la dirección) para su reparación o su sustitución.

Reparaciones y sustitución fuera de la garantía

EE.UU. y Canadá Para reparaciones fuera de la garantía en los Estados Unidos y en Canadá, los instrumentos se deben enviar a un Centro de servicio AMPROBE. Para obtener información sobre las tasas actuales válidas para reparación y sustitución, podrá consultar a AMPROBE o su punto de venta.

En EE.UU.	En Canadá
Amprobe Test Tools	Amprobe Test Tools
Everett, WA 98203	Mississauga, ON L4Z 1X9
Tlfn.: 877-993-5853	Tlfn.: 905-890-7600
Fax: 425-446-6390	Fax: 905-890-6866








Reparaciones y sustitución fuera de la garantía para Europa

Los instrumentos fuera de la garantía se pueden sustituir a través del distribuidor AMPROBE correspondiente previo pago de una tasa. En el apartado "Where to Buy" (puntos de venta) de la página de Internet www.amprobe.eu podrá consultar una lista con los distribuidores autorizados.

Dirección de correspondencia para Europa*

BEHA-AMPROBE GmbH
In den Engematten 14
D-79286 Glottertal
Alemania
Tlfn.: +49 (0) 7684 8009 - 0
Fax: +49 (0) 7684 8009 - 410
www.amprobe.eu
info@amprobe.eu

Indicaciones que se incluyen en el instrumento o en el manual de instrucciones:

	Advertencia de peligro potencial. Siga las indicaciones del manual de instrucciones.
	Referencia. Preste especial atención.
	Precaución Tensión peligrosa. Peligro de descarga eléctrica.
	Doble aislamiento o aislamiento reforzado según categoría II IEC 61140.
	Símbolo de clasificación de instrumentos eléctricos y electrónicos (Directiva WEEE 2002/96/CE).
	Símbolo de conformidad que indica el cumplimiento con las directivas relevantes. Cumple con la Directiva CEM (89/336/CEE). También cumple con la Directiva de Baja Tensión (73/23/CEE).
 N10140	Correspondencia con las normas australianas relevantes

INDICACIÓN DE ADVERTENCIA

El manual de instrucciones incluye informaciones e indicaciones necesarias para el funcionamiento y el uso seguros del instrumento.

Antes de la utilización (puesta en marcha) del instrumento, se deberá leer atentamente el manual de instrucciones.

Si no se tienen en cuenta las instrucciones o se omiten las advertencias e indicaciones, es posible que el usuario sufra lesiones graves o que se produzcan daños considerables en el instrumento.

Introducción / Volumen de suministro

El AMPROBE EARTH-TEST es un medidor de fácil manejo para la determinación de la resistencia de puesta a tierra. El medidor ha sido construido de acuerdo con las prescripciones válidas y garantiza un trabajo seguro y efectivo.

El AMPROBE EARTH-TEST se caracteriza por las siguientes propiedades:

- Determinación de la resistencia de puesta a tierra o de la resistencia específica de puesta a tierra
- Posibilidad de medición con 2, 3 y 4 conductores
- Medición según el método Wenner
- Corriente de medición superior a 10 mA
- Medición y control de la resistencia del electrodo de conexión a tierra auxiliar y de las resistencias de las sondas
- Indicación de la corriente de medición para el control de la inseguridad de medición
- Resistencias de las sondas y electrodos de conexión a tierra auxiliares hasta 50 k Ω
- Detección de tensión parasitaria
- Dos frecuencias de medición (127/140Hz) para la supresión de la tensión parasitaria
- Selección automática de frecuencia optimizada
- Preselección de tensión de contacto máx. permitida: UL 25/50 V
- Pantalla grande y amplia
- Gestión de la energía
- Construido según DIN VDE 0413 parte 5, EN61557-5, IEC61557-5

En el volumen de suministro se incluye:

- 1 pz. EARTH-TEST
- 1 pz. cable de medición rojo
- 1 pz. cable de medición azul
- 1 pz. pinza de cocodrilo roja
- 1 pz. pinza de cocodrilo azul
- 1 pz. estuche de pronto uso
- 6 pz. pilas redondas de 1,5 V IEC LR6
- 1 pz. manual de instrucciones

Transporte y almacenamiento

Conserve el embalaje original para un posible envío posterior, p. ej. para la calibración. No se cubren por la Garantía los daños por el transporte o aquellos ocasionados por un embalaje defectuoso.

Para evitar que se produzcan daños si no va a utilizar el medidor durante un largo periodo de tiempo deberán retirarse las baterías. Si a pesar de ello, el instrumento se ensucia debido a que las pilas se hayan derramado, éste se deberá enviar al taller para su limpieza y comprobación.

El almacenamiento del instrumento se deberá realizar en espacios cerrados y secos. Si el instrumento se ha transportado bajo temperaturas extremas, antes de su conexión necesitará una aclimatación mínima de 2 horas.

Medidas de seguridad



INDICACIÓN DE ADVERTENCIA

El AMPROBE EARTH-TEST ha sido construido según las disposiciones de seguridad para dispositivos electrónicos comprobadores y de medición y se suministra desde el taller en estado técnico de seguridad correcto. Para conservar dicho estado, el usuario deberá tener en cuenta las indicaciones de seguridad incluidas en estas instrucciones.

- Para todos los trabajos se deben tener en cuenta las prescripciones para la prevención de accidentes de la cooperativa profesional para la prevención y el seguro de accidentes laborales para instalaciones eléctricas y medios de producción.
- Las mediciones a una distancia peligrosa de instalaciones eléctricas nunca deben realizarse por una sola persona y siempre siguiendo las indicaciones de personal técnico electricista responsable.
- Antes de cada uso, compruebe si el medidor y los cables de conexión utilizados presentan daños exteriores. Asegúrese también de que tanto el medidor como los cables de conexión se encuentren en perfecto estado. El medidor no se deberá seguir utilizando, si fallan una o varias funciones o no se detecta ninguna disponibilidad para el funcionamiento.
- Si la seguridad del usuario deja de estar garantizada, el instrumento se deberá poner fuera de servicio y asegurarse contra una utilización involuntaria. Este es el caso si el instrumento:
 - presenta daños evidentes
 - no realiza las mediciones deseadas
 - ha sido almacenado durante demasiado tiempo en condiciones inadecuadas
 - ha estado expuesto a cargas mecánicas durante el transporte.
- El instrumento solo se deberá utilizar con los rangos de servicio y de medición especificados en el apartado "Datos técnicos".
- Evite que se caliente el instrumento por la exposición directa a las radiaciones solares. Solo de este modo puede garantizarse un funcionamiento correcto y una larga vida útil del instrumento.
- El medidor solo debe conectarse a un conductor de tierra sin tensión.

Uso apropiado



INDICACIÓN DE ADVERTENCIA

- El instrumento solo se deberá utilizar con los rangos de servicio y de medición especificados en el apartado "Datos técnicos".
- La seguridad durante el funcionamiento puede verse comprometida si se realizan modificaciones o remodelaciones.
- Las tareas de mantenimiento y calibrado sólo podrán realizarse por parte de nuestro personal de taller.

Información general acerca de la medición de puesta a tierra

La resistencia de puesta a tierra es la resistencia entre la tierra de referencia y el punto de conexión de la instalación de puesta a tierra. La instalación de puesta a tierra es necesaria para ajustar las piezas individuales de la instalación y los circuitos con un potencial de referencia lo más cercano posible a la tierra de referencia. Las mediciones de puesta a tierra se prescriben para instalaciones que poseen protección mediante desconexión, así como instalaciones con protección contra rayos, de telecomunicaciones y de abastecimiento.

En el caso de la medición de puesta a tierra instalada en el AMPROBEEARTH-TEST, se trata de una medición de resistencia de puesta a tierra de acuerdo con el proceso de corriente/tensión. La alimentación de corriente se garantiza mediante las pilas instaladas. Las resistencias de tierra se calculan con el proceso de medición de tensión de corriente. La puesta a tierra es una parte esencial de una instalación de alimentación de corriente. Es necesaria para ajustar las piezas individuales de la instalación y los circuitos con un potencial de referencia común cercano a la tierra de referencia. Las puestas a tierra también se utilizan para proteger las instalaciones de las sobretensiones o de las corrientes de cortocircuito.

Las resistencias de puesta a tierra deben tener un ohmiaje bajo adecuado, los valores orientativos están fijados en las disposiciones DIN VDE. La puesta a tierra y la resistencia de puesta a tierra se componen del cable de puesta a tierra (conductor equipotencial o PE), el conductor de tierra (conductor de tierra de fundación, varilla de puesta a tierra, fleje de puesta a tierra,...) y la resistencia a la propagación de en la tierra. Esta es la resistencia entre el conductor de tierra y la tierra de referencia.

Alrededor de cada conductor de tierra se forma un embudo de tensión, que depende de la forma del conductor de tierra y del terreno situado alrededor. Si se parte de un terreno uniforme, con la misma temperatura y la misma humedad, alrededor del conductor de tierra se formarán embudos de tensión de forma concéntrica.

Cuanto menor sea el ohmiaje de la resistencia de puesta a tierra, menores serán los embudos de tensión. En la medición de la resistencia de puesta a tierra se mide la caída de tensión generada por una corriente constante conocida a través de la resistencia a tierra a medir.

Influencias sobre la precisión de medición

El EARTH-TEST ofrece la posibilidad de ajustar una tensión de medición máxima mediante la tecla UL 25/50 V. El límite de tensión de contacto se deberá ajustar a 25 V para el ámbito de aplicación médico y agrícola y a 50 V para el resto de aplicaciones.

El instrumento envía una corriente de medición de más de 10 mA, con lo que se garantiza un resultado de medición preciso. Si debido a la resistencia de puesta a tierra total, la tensión que se genera con la corriente de medición alcanza el límite de tensión de contacto seleccionada de 25 V, solo se medirá con la corriente que fluya con el límite de tensión de contacto. Si el límite de tensión de contacto seleccionado es de 50 V, la corriente de medición no se limita hasta 50 V; para las tensiones de medición superiores a 50 V, la corriente de medición se limita a 3 mA. De este modo, incluso en caso de condiciones de medición difíciles, p. ej. en suelo pedregoso, se garantiza un resultado de medición preciso con una corriente de medición suficiente.

Las tensiones parasitarias existentes en los conductores de tierra pueden influir en el resultado de medición. La influencia de las tensiones parasitarias son mínimas en el EARTH-TEST. Un filtro preciso se encarga de suprimir todos los parásitos cuyas frecuencias sean distintas respecto de la frecuencia de medición correspondiente. Combinando la posibilidad de elegir entre dos frecuencias de medición, también se garantizan buenos resultados de medición con campos parásitos elevados.

En la selección automática de frecuencia, el EARTH-TEST selecciona la frecuencia de medición en la que se midan las tensiones parasitarias más reducidas. La frecuencia de medición solo se deberá seleccionar manualmente si la frecuencia parasitaria es conocida. Si en alguna ocasión existen tensiones parasitarias tan elevadas, que a pesar del filtro influyen en el resultado de medición, se indicará en la pantalla con "Unoise". Otra influencia sobre la precisión de medición es ejercida por las relaciones de los electrodos de conexión a tierra auxiliares y las resistencias de las sondas en relación con la resistencia de puesta a tierra (RH/RE y RS/RE) y los valores absolutos de los electrodos de conexión a tierra auxiliares y las resistencias de sondas (RH/RS). Si la relación RH/RE (o RS/RE) supera el valor 1000/1 (o 10000/1), el EARTH-TEST no podrá medir con tanta precisión como la que se indica en los datos técnicos. Esto se debe a que la tensión de medición solo es de 1/1000 (1/10000) de la tensión existente en el circuito de medición. Si los electrodos de conexión a tierra auxiliares y las resistencias de las sondas aumentan demasiado, se indicará en la pantalla con "Limit RH". En este caso, se deberá intentar obtener un contacto mejor de los conductores de tierra o de las varillas de toma a tierra en relación con el terreno (p. ej. introducir las varillas de toma a tierra a mayor profundidad, humedecer el terreno), utilizando varias varillas en paralelo.

Conceptos

Conductor de tierra (E):	El conductor de tierra es un conductor que se encuentra alojado en la tierra o en el fundamento y que se encuentra en conexión conductora con la tierra (por ejemplo, un conductor de tierra de fundación en hormigón).
Sonda del conductor de tierra (ES):	Conexión de la sonda situada más próxima al conductor de tierra.
Tierra de referencia:	Una parte de la tierra que se encuentra alejada del conductor de tierra correspondiente de manera que entre cualquier punto de esta parte no se producen tensiones sensibles resultantes de la corriente de puesta a tierra.
Electrodo de conexión a tierra auxiliar (H):	Conductor de tierra adicional a través del que fluye la corriente de medición necesaria para la realización de la medición.
Probe (S):	Un conductor de tierra adicional, preferentemente una varilla de toma a tierra, que sirve de toma de potencial para la tierra de referencia para la realización de la medición.
Resistencia a la propagación de un conductores de tierra:	La resistencia del terreno entre el conductor de tierra y la tierra de referencia.

Elementos de manejo e indicaciones

Indicaciones en la pantalla LC:

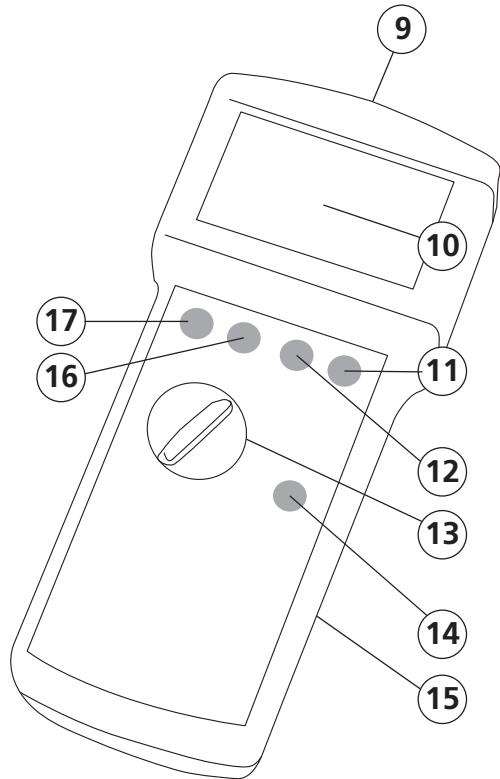
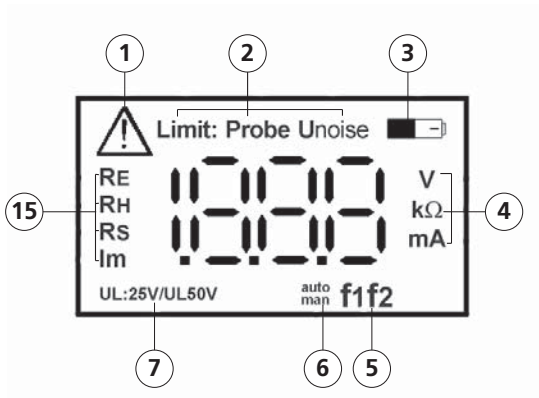
(consulte también las indicaciones/mensajes de error)

- 1) Símbolo para la superación del valor límite
- 2) Limit: Indicación para errores de electrodos de conexión a tierra auxiliares/sondas
Probe: Error de sonda
Unoise: Tensión ajena
- 3) Indicación del estado de las pilas
- 4) Indicación de unidades dependiente de la magnitud de medición (8)
- 5) Indicación de frecuencia ($f_1 = 127 \text{ Hz} / f_2 = 140 \text{ Hz}$)
- 6) Selección de frecuencia automática/manual
- 7) Valor límite de tensión de contacto
- 8) Indicación de magnitud de medición

Elementos de manejo

- 9) Casquillos de conexión para los cables de medición:

Electrodo de conexión a tierra auxiliar	(H)	negro
Sonda	(S)	amarillo
Sonda de conductor de tierra	(ES)	rojo
Conductor de tierra	(E)	azul
- 10) Pantalla LC
- 11) Tecla UL para la tensión de contacto: 50 V / 25 V
- 12) Tecla f1/f2 la selección manual de frecuencia ($f_1 = 127 \text{ Hz} / f_2 = 140 \text{ Hz}$)
- 13) Interruptor selector de tipo de medición
- 14) Tecla "Start"
- 15) Compartimento para pilas en la parte posterior del instrumento
- 16) Tecla auto/man para la selección de frecuencia automática / manual (véase también 4.1)
- 17) Tecla "Display" para la selección de la indicación de la magnitud de medición en la pantalla
RE - resistencia de puesta a tierra
RH - resistencia del electrodo de conexión a tierra auxiliar
RS - resistencia de las sondas
 I_M - corriente de medición





INDICACIÓN DE ADVERTENCIA

- Las mediciones a una distancia peligrosa de instalaciones eléctricas nunca deben realizarse por una sola persona y siempre siguiendo las indicaciones de personal técnico electricista responsable.
- Para la realización de la medición de puesta a tierra con varillas de toma a tierra (electrodo de conexión a tierra auxiliar/sonda), es necesario el juego de accesorios de AMPROBE (nº ref. 1048).
- El medidor solo debe conectarse a un conductor de tierra sin tensión.
- Antes de clavar los conductores de tierra o las sondas, se deberá comprobar que el terreno no presente posibles objetos peligrosos (tubos, cables, etc.).
- Si existe una tensión superior a 5V CA/CC en los cables de medición, se mostrará el mensaje de advertencia "Unoise".
- Para evitar mediciones erróneas, se deberán tener en cuenta los tubos y cables de tierra metálicos colocados en paralelo respecto a la disposición de la medición, y al aire libre se deberán tener en cuenta las venas de agua o las raíces. Además, la resistencia específica de puesta a tierra está sometida a fluctuaciones estacionales condicionadas por la intemperie.

Medición de la resistencia de puesta a tierra (método de dos conductores)

En la **medición con dos conductores** se mide la resistencia entre el conductor de tierra a medir y un conductor de tierra conocido; en este caso se puede utilizar, p. ej., el conductor PEN de un sistema TN. La resistencia del conductor de tierra conocido se debe extraer del resultado de medición. La medición también se puede realizar en entornos construidos de forma compacta o sellados, en los que las sondas y los electrodos de conexión a tierra auxiliares no se pueden utilizar.

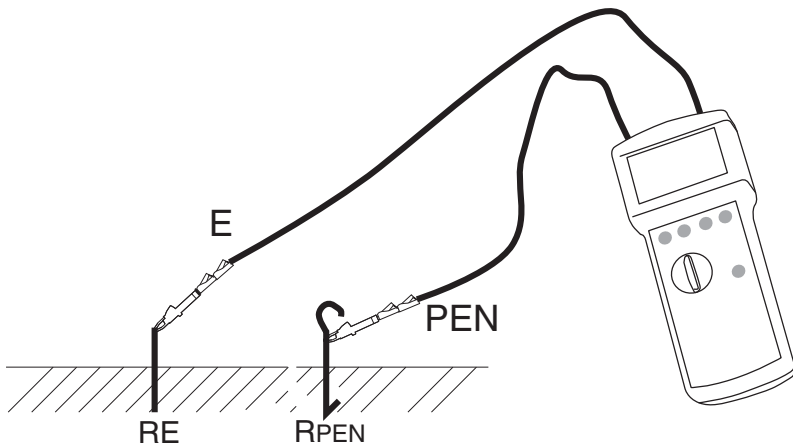


Ilustración 3: Principio de medición, medición con dos polos:

- 1) Conecte el conductor de tierra a medir con el casquillo (E) y el conductor de tierra conocido con el casquillo (H), véase también la ilustración 3.
- 2) Gire el interruptor selector de medición (13) a la posición "2 pol".
- 3) Seleccione la tensión de contacto con la tecla "UL" (11).
- 4) Si lo desea, elija la selección de frecuencia manual con la tecla "auto/man" (16) y la frecuencia de medición con la tecla "f1/f2" (12).
- 5) Pulse la tecla "Start" (14).
- 6) Lea el resultado de la medición en la pantalla.

- Véase también Indicaciones / mensajes de error
- Tras la realización de la medición, mediante la tecla "Display" (17) se podrá elegir entre las indicaciones para resistencia de puesta a tierra y corriente de medición (I_M).
- Con el rango de medición "2 pol" también se pueden medir resistencias convencionales. Para ello, conecte a la muestra de control los cables E y H. La corriente de prueba fluye a través de los cables E y H y la tensión de medición también se mide mediante los cables E y H.

Medición de la resistencia de puesta a tierra (método de tres conductores)

- Para la realización de esta medición necesitará el juego de accesorios AMPROBE (option)

INDICACIÓN DE ADVERTENCIA

En la **medición con tres conductores** se colocan dos varillas de toma a tierra (un electrodo de conexión a tierra auxiliar y una sonda) a una distancia mínima de 20 m. Esta distribución también puede realizarse en forma triangular. La corriente de medición se aplica entre el electrodo de conexión a tierra auxiliar y el conductor de tierra y se mide la caída de tensión entre el conductor de tierra y la sonda. También se mide la resistencia del cable de medición desde el medidor hasta el conductor de tierra. Con esta medición se pueden calcular, p. ej., las resistencias de puesta a tierra de conductores de tierra de fundación, de obras y con protección contra rayos.

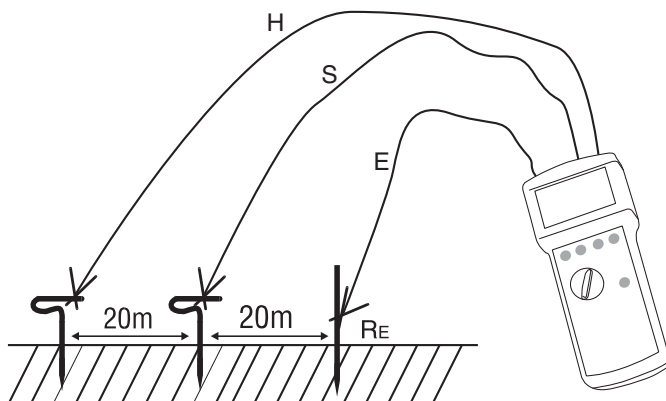


Ilustración 4: Medición con tres polos

- 1) Disponga las varillas de toma a tierra para el electrodo de conexión a tierra auxiliar y la sonda, como se muestra en la ilustración 4. Esta distribución también puede realizarse en forma triangular. La distancia entre la sonda y el conductor de tierra y entre la sonda y el electrodo de conexión a tierra auxiliar debe ser como mínimo de 20 m. Instale los cables con cuidado y compruebe que los cables no estén colocados en paralelo entre sí y no se crucen, para evitar acoplamientos.
- 2) Conecte los cables de medición a las varillas de toma a tierra como se muestra en la ilustración 4.
- 3) Gire el interruptor selector de medición (13) a la posición "3 pol".
- 4) Seleccione la tensión de contacto con la tecla "UL" (11).
- 5) Si lo desea, elija la selección de frecuencia manual con la tecla "auto/man" (16) y la frecuencia de medición con la tecla "f1/f2" (12).
- 6) Pulse la tecla "Start" (14).
- 7) Lea el resultado de la medición en la pantalla.

- 8) Para controlar la medición, intercambie las conexiones para la sonda y el electrodo de conexión a tierra auxiliar o cambie de posición la varilla de toma de tierra para la sonda aprox. 1 a 2 m en dirección al conductor de tierra (y a continuación en dirección al electrodo de conexión a tierra auxiliar) y repita la medición. Si el medidor indica valores de medición comparables en todas las disposiciones de medición, la sonda se encontrará fuera del embudo de tensión generado por el conductor de tierra y el electrodo de conexión a tierra auxiliar en el ámbito de la tierra de referencia. Si el medidor indica variaciones mayores, es posible que la sonda se encuentre en el embudo de tensión del conductor de tierra o del electrodo de conexión a tierra auxiliar. Para evitar estas situaciones, existen dos posibilidades:

A: Aumente la distancia entre el conductor de tierra y el electrodo de conexión a tierra auxiliar

o,

B: coloque la varilla de toma a tierra para la sonda, como se muestra en la ilustración 5, en un punto de las rectas fuera del embudo de tensión y repita de nuevo esta medición.

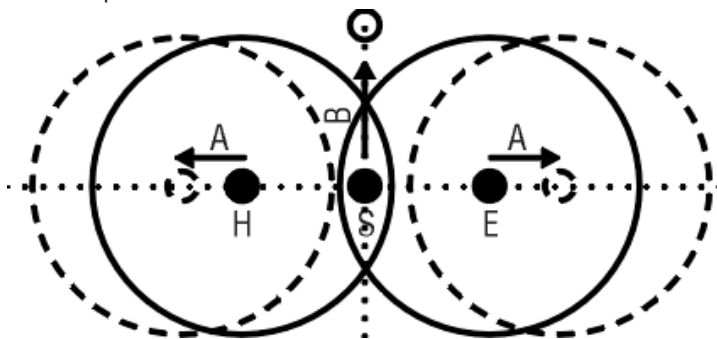


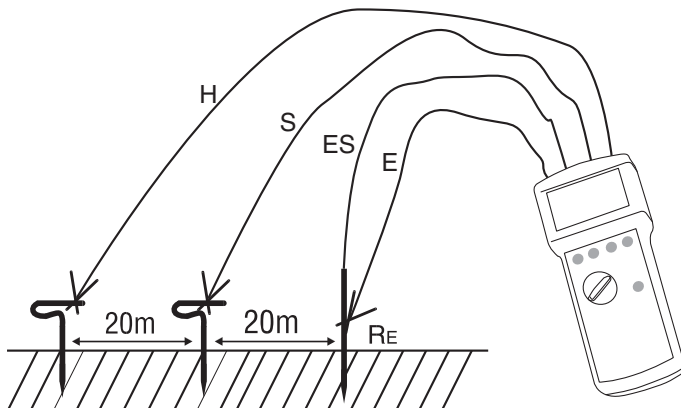
Ilustración 5: Embudo de tensión

- Tras la realización de la medición, mediante la tecla "Display" (17) se puede cambiar entre las magnitudes de medición de resistencia de puesta a tierra (RE), resistencia del electrodo de conexión a tierra auxiliar (RH), resistencia de las sondas (RS) y corriente de medición (IM).
- Respete la secuencia de conexión ya que, de lo contrario, el instrumento no podrá realizar la medición y mostrará un mensaje de error:
 - la indicación "Probe" advierte sobre un error de conexión de S, E (interrupción, intercambio también con H o E)
 - la indicación "Limit I_M " indica una interrupción en la conexión de H.
- Consulte también las indicaciones / mensajes de error

Medición de la resistencia de puesta a tierra (método de cuatro conductores)

La **medición con cuatro conductores** se aplica en lugar de la medición con tres conductores, cuando se trata de resistencias de puesta a tierra con un ohmiaje muy bajo y la influencia del cable de medición entre el medidor y el conductor de tierra actúa de forma considerable sobre el resultado de medición.

Aquí el conductor de tierra a medir se conecta a través de las conexiones E y ES, aunque el interruptor selector de tipos de medición se sitúa en "4 pol" y la medición se realiza como se ha des-



crita.

Ilustración 6: Medición con cuatro polos

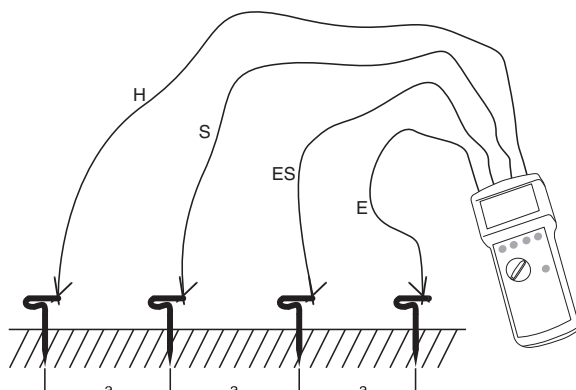
Medición específica de la resistencia de puesta a tierra (método de cuatro conductores según Wenner)

- Para la realización de esta medición necesitará el juego de accesorios AMPROBE (option)

Para el cálculo de la resistencia a la propagación de los conductores de tierra y de las instalaciones de puesta a tierra, es necesaria la determinación de la resistencia específica de puesta a tierra. La resistencia de puesta a tierra medida se debe aplicar en una fórmula para el cálculo de la resistencia específica de de puesta a tierra:

$$\rho = 2 \cdot \pi \cdot a \cdot RE.$$

Esta medición se realiza mediante cuatro varillas de toma a tierra que se clavan en una línea a la misma distancia 'a' en el terreno. Las cuatro varillas de toma a tierra se clavan a una profundidad de un máximo 1/5 de la distancia 'a'. La resistencia de puesta a tierra se determina aproximadamente hasta la profundidad de la distancia 'a'. Para evitar mediciones erróneas, se deberán tener en cuenta los tubos y cables de tierra metálicos colocados en paralelo respecto a la disposición de la medición, y al aire libre se deberán tener en cuenta las venas de agua o las raíces. Además, la resistencia específica de puesta a tierra está sometida a fluctuaciones estacionales condicionadas por la intem-



perie.

Ilustración 7: Resistencia específica de puesta a tierra

- 1) Disponga las cuatro varillas de toma a tierra para E, ES, S, H en una línea, como se muestra en la ilustración 7. La distancia entre las sondas individuales debe corresponder a la distancia utilizada en la fórmula. Instale los cables con cuidado y compruebe que los cables no estén colocados en paralelo entre sí y no se crucen, para evitar acoplamientos.
- 2) Conecte los cables de medición a las varillas de toma a tierra como se muestra en la ilustración 7.
- 3) Gire el interruptor selector de medición (13) a la posición "4 pol".
- 4) Seleccione la tensión de contacto con la tecla "UL" (11).
- 5) Si lo desea, elija la selección de frecuencia manual con la tecla "auto/man" (16) y la frecuencia de medición con la tecla "f1/f2" (12).

- 6) Pulse la tecla "Start" (14).
- 7) Lea el resultado de la medición en la pantalla.
 - Tras la realización de la medición, mediante la tecla "Display" (17) se puede cambiar entre las magnitudes de medición de resistencia de puesta a tierra (RE), resistencia del electrodo de conexión a tierra auxiliar (RH), resistencia de las sondas (RS) y corriente de medición (IM).
 - Respete la secuencia de conexión ya que, de lo contrario, el instrumento no podrá realizar la medición y mostrará un mensaje de error:
 - la indicación "Probe" advierte sobre un error de conexión de S, E (interrupción, intercambio también con H o E)
 - la indicación "Limit I_M" indica una interrupción en la conexión de H
 - consulte también las indicaciones / mensajes de error
 - Este procedimiento se realiza en diferentes puntos y con diferentes distancias 'a' respectivamente. De este modo se comprueba la naturaleza del terreno en el área deseada. En este caso, una medición con distancias "a" más amplias ofrece información sobre la resistencia específica de puesta a tierra a profundidades mayores.

Naturaleza del terreno	Resistencia de puesta a tierra Varilla de puesta a tierra		Resistencia de puesta a tierra Fleje de puesta a tierra	
	3 m profundidad	5 m profundidad	5 m longitud	10 m longitud
Terreno pantanoso/pantano	10 Ω	5 Ω	12 Ω	6 Ω
Tierra cultivable/barro	33 Ω	17 Ω	40 Ω	20 Ω
Terreno arenoso húmedo	66 Ω	33 Ω	80 Ω	40 Ω
Terreno arenoso seco	330 Ω	165 Ω	400 Ω	200 Ω
Terreno pedregoso	1000 Ω	500 Ω	1200 Ω	60 Ω
Hormigón 1:5			160 Ω	80 Ω









Tabla 1:
Indicaciones para la evaluación de los resultados de medición

La **tabla 2** muestra los valores que se pueden mostrar con un valor orientativo necesario teniendo en cuenta el error de uso.

Resistencia necesaria	Máx. valor de medición indicado
0.3 Ω	0.18 Ω
0.4 Ω	0.28 Ω
0.5 Ω	0.37 Ω
0.6 Ω	0.46 Ω
0.7 Ω	0.56 Ω
0.8 Ω	0.65 Ω
0.9 Ω	0.75 Ω
1.0 Ω	0.84 Ω
2.0 Ω	1.84 Ω
3.0 Ω	2.79 Ω
4.0 Ω	3.73 Ω
5.0 Ω	4.67 Ω

Ejemplo: resistencia de puesta a tierra 1 necesariaΩ el EARTH-TEST debe indicar como máx. 0,84Ω.

Indicaciones / Mensajes de error

Mensaje	Causa
	Indicación de superación del valor límite en una magnitud de medición
 Probe	Interrupción / intercambio de la sonda (S) y de la sonda de tierra (ES) (con medición con 4 polos) Interrupción / intercambio de la sonda (S) y del conductor de tierra (ES) (con medición con 3 polos) Interrupción del electrodo de conexión a tierra auxiliar (H) y del conductor de tierra (E) (2 pol)
 Limit IM	Interrupción del electrodo de conexión a tierra auxiliar (H) y del conductor de tierra (E) (con medición de 4/3 polos)
 Unoise	La tensión ajena ha superado el valor permitido. Los valores de medición ya no se corresponden con las especificaciones.
 Limit RH	Valor de medición del electrodo de conexión a tierra auxiliar (RH) > 50 k Ω o electrodo de conexión a tierra auxiliar (RH) > 1000 RE Los valores de medición ya no se corresponden con las especificaciones.
 Limit RS	Valor de medición de la resistencia de las sondas (RS) > 50 k Ω o resistencia de las sondas RS > 10000 x RE Los valores de medición ya no se corresponden con las especificaciones.
 Limit RE	Valor de medición de la resistencia de puesta a tierra (RE) > 2 k Ω (con medición con 4/3 polos) Los valores límite indicados para RH, RS son RH + RE, RS + RE.
 Limit	Valor de medición R > 2k Ω (con medición con 2 polos)
Símbolo de pila	Las pilas están casi descargadas y se deben cambiar. Los resultados de medición ya no se corresponden con las especificaciones.
El símbolo de la pila se apaga	Las pilas están descargadas, el servicio del instrumento no es posible

Gestión de la energía

Aproximadamente 5 minutos después del último accionamiento de una tecla, el instrumento se apaga automáticamente (Auto-Power-Off). Posteriormente, la nueva puesta en marcha solo se puede realizar mediante el interruptor giratorio desde la posición "OFF".

En el caso de pilas casi descargadas, aparece el símbolo de la pila (3); el instrumento sigue funcionando, aunque sin garantía de mantenimiento de las especificaciones.

Si las pilas siguen utilizándose y están descargadas, el instrumento se apaga al alcanzarse el nivel mínimo de tensión de la batería y el símbolo de batería (3) parpadea durante unos segundos. Seguidamente, el instrumento ya no se puede conectar de nuevo.

Mantenimiento

Si el medidor se utiliza siguiendo las indicaciones del manual de instrucciones, no será necesario un mantenimiento especial.

Limpieza

Si el instrumento está sucio tras el uso diario, se recomienda limpiarlo con un paño húmedo y detergente suave de uso doméstico.

- Antes de iniciar la limpieza, compruebe que el instrumento está apagado y desconectado de todos los circuitos.
- Nunca utilice detergentes ácidos ni disolventes para la limpieza.

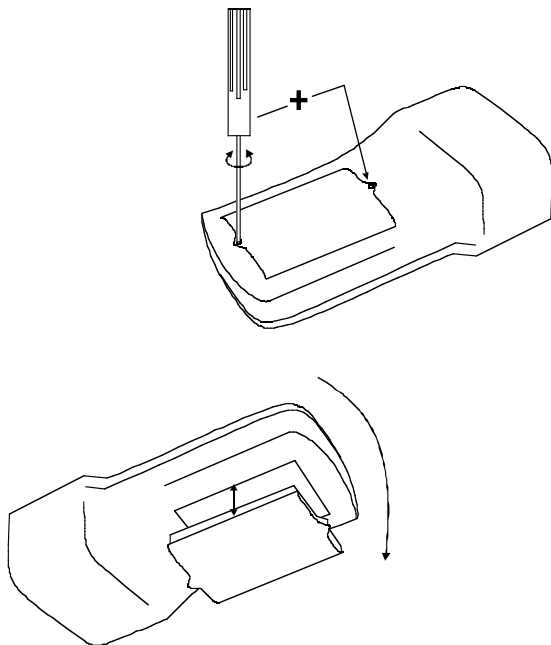
Cambio de batería



INDICACIÓN DE ADVERTENCIA

- Antes de cambiar las pilas, el instrumento se deberá desconectar de todos los circuitos de medición conectados.
- Nunca intente desmontar una pila. Nunca arroje las pilas al fuego, ya que se puede producir una explosión. No exponga las pilas a la humedad.
- Solo se deberán utilizar las pilas especificadas en el apartado de datos técnicos (pilas redondas de 1,5 V, tipo IEC LR6).
- Por favor, mantenga siempre una actitud respetuosa con el medio ambiente. No deseche las pilas descargadas en la basura doméstica normal, sino en los contenedores para basura especial o en los lugares de recogida de basura especial. En la mayoría de los casos, las pilas también se pueden entregar en los establecimientos en los que pueda adquirir pilas nuevas.
- Se deberán tener en cuenta las disposiciones en cuanto a reciclaje, reutilización y eliminación de pilas usadas.
- En caso de períodos amplios de desuso, las baterías deben extraerse. Si el instrumento se ensucia debido a que las pilas se hayan derramado, éste se deberá enviar a nuestro taller para su limpieza y comprobación.

- 1) Si en la pantalla aparece el símbolo de pila (3), ésta se deberá cambiar.
- 2) Desconecte el instrumento con el interruptor selector de métodos de medición.
- 3) Afloje los tornillos (2) en la parte posterior del instrumento.
- 4) Levante la tapa del compartimento para pilas (golpeando ligeramente el instrumento con la mano).
- 5) Retire las pilas usadas.
- 6) Inserte las pilas nuevas respetando la polaridad.
- 7) Vuelva a colocar la tapa del compartimento para pilas y vuelva a atornillar los tornillos.
- 8) El instrumento está listo para el funcionamiento.



Intervalo de calibración

Para mantener la precisión indicada de los resultados de medición, el instrumento deberá calibrarse regularmente por nuestro servicio técnico. Recomendamos un intervalo de calibración de un año. Si el instrumento se usa muy a menudo o está sometido a condiciones de uso muy exigentes, recomendamos intervalos más cortos. Si el instrumento se va a utilizar con poca frecuencia, el intervalo de calibración se puede alargar hasta 3 años.

Datos técnicos

Pantalla	3 cifras, LDC, 1999 dígitos
Duración de medición	aprox. 3 - 5 s
Principio de medición	Proceso de medición de tensión de corriente según DIN VDE 0413, parte 5
Tensión de medición	25 V/50 V conmutable
Consumo de corriente/energía	aprox. 10 mA/0,1 W máx. 500 mA brevemente durante la medición
Corriente de medición	máx. 12 mA
Frecuencia (f1/f2)	127 Hz/140 Hz conmutable

Método de medición	2 pol / 3 pol / 4 pol
Resistencia de puesta a tierra (RE)	Rango de medición Tolerancia: 0,05 - 2,00 ohmios ±(4 % + 0,1 ohmios) ±(6 % + 0,1 ohmios)* 2,00 - 1999 ohmios ±(4 % + 2 dígitos) ±(6 % + 3 dígitos)*
Electrodo de conexión a tierra auxiliar/resistencia de las sondas	0,1 -50 kohmios ±(10 % + 3 dígitos)*
Indicación de corriente de medición (I_M)	0,1 - 13 mA ±(10 % + 3 dígitos)*

*Error de uso

Rango de uso nominal:

Polaridad adecuada	para mediciones de 3/4 pol.
Tensión parasitaria	0...5V, máx. 10 % de la tensión de medición
Electrodo de conexión a tierra auxiliar / resistencia de las sondas	máx. 50 kohmios
Relación RH/RE	máx. 1000/1
Relación RS/RE	máx. 10000/1
Resistencia de puesta a tierra	máx. 2 kohmios

Rango de referencia:

Polaridad adecuada	para mediciones de 3/4 pol.
Tensión parasitaria	0 V
Electrodo de conexión a tierra auxiliar / resistencia de las sondas	0 ohmios
Resistencia de puesta a tierra	máx. 2 kohmios
Auto-Power-Off	después de aprox. 5 min.
Alimentación de corriente	6 x pilas redondas de 1,5 V, tipo IEC LR6
Límite de batería baja	6,6 V ± 5 % (desconexión del instrumento con 6,1 V ± 5 %)
Duración de servicio de la pila	aprox. 1 año con uso medio
Medidas (L x An x Al)	235 x 105 x 68 mm
Peso	aprox. 640 g (incl. 6 x pilas)

Condiciones ambientales:

Temperatura de servicio / humedad	0 °C...40 °C / máx. 80 % a 0 °C...40 °C
Rango de temperatura de referencia	+17 °C...+27 °C
Rango de temperatura de almacenamiento	-20 °C...+60 °C
Construido según	DIN VDE 0413/ parte 5, EN 61557-5, IEC 61557-5
Clase de protección	II
Categoría de sobretensión	CAT III / 300 V contra tierra
Grado de ensuciamiento	2
Tipo de protección	IP50
Altura por encima del nivel del mar	hasta 2000 m



EARTH-TEST
TELARIS Series
Earth-Resistance Tester
Istruzioni d'uso

Istruzioni d'uso

Sommario	Pagina
Garanzia limitata e restrizioni di responsabilità	3
Riparazione	3
Avvertenze riportate sull'apparecchio o nelle istruzioni d'uso:.....	5
Introduzione / Contenuto della fornitura	6
Trasporto e immagazzinaggio	6
Misure di sicurezza	7
Uso consentito	7
Nozioni generali sulle misurazioni di messa a terra	8
Effetti sulla precisione di misurazione.....	8
Denominazioni	9
Display ed elementi di comando	10
Esecuzione delle misurazioni	12
Misurazione della resistenza di messa a terra (metodo a due conduttori)	13
Misurazione della resistenza di messa a terra (metodo a tre conduttori)	14
Misurazione della resistenza di messa a terra (metodo a quattro conduttori)	16
Misurazione della specifica resistenza di messa a terra (metodo a quattro conduttori sec. Wenner)	17
Indicazioni / messaggi di errore	19
Gestione dell'energia	20
Manutenzione.....	20
Pulizia	20
Sostituzione della batteria	20
Intervallo di calibrazione	21
Dati tecnici	22

Garanzia limitata e restrizioni di responsabilità

Si garantisce che questo prodotto Amprobe non presenterà difetti di materiale e di produzione per la durata di un anno a partire dalla data d'acquisto. Questa garanzia non copre comunque fusibili, batterie monouso oppure danni dovuti a incidenti, trascuratezza, uso non appropriato, modifiche arbitrariamente apportate o condizioni d'esercizio anomale ovvero manipolazione non appropriata. I centri di vendita non sono autorizzati ad estendere questa garanzia a nome di Amprobe. Per richiedere le prestazioni di servizio durante il periodo di validità della garanzia, spedire il prodotto allegando la ricevuta o lo scontrino d'acquisto ad un centro di servizio AMPROBE autorizzato o a un rivenditore specializzato/distributore della Amprobe. Si prega di consultare i dettagli riportati nel paragrafo "Riparazione" qui sopra. LA PRESENTE GARANZIA RAPPRESENTA L'ESCLUSIVO E UNICO DIRITTO LEGITTIMO AL RISARCIMENTO DANNI. QUALSIASI ALTRA GARANZIA - SIA CHE SIANO REGOLATE CONTRATTUALMENTE O CHE SIA PRESCRITTA PER LEGGE - INCLUSA LA GARANZIA PRESCRITTA AI SENSI DI LEGGE NELL'AMBITO DELLA COMPATIBILITÀ DI MERCATO E L'ATTITUDINE AD UNO SCOPO PREVISTO E DETERMINATO SONO COMUNQUE ESCLUSE. IL COSTRUTTORE NON SI ASSUME ALCUNA RESPONSABILITÀ PER DANNI PARTICOLARI, INDIRECTI, SECONDARI O CONSEGUENTI OSSIA PERDITE BASATE SU UNA CAUSA QUALSIASI O SU TEORIE DI LEGGE. Poiché alcuni stati o paesi non ammettono l'esclusione o la restrizione di una garanzia implicita nonché danni contemporanei o conseguenti, questa restrizione di garanzia potrebbe essere non valida per voi.

Riparazione

Per tutti gli apparecchi che vengono spediti per la riparazione o la calibrazione nell'ambito della garanzia o al di fuori della garanzia, è necessario allegare quanto segue: nome del cliente, nome dell'impresa, indirizzo, numero di telefono e ricevuta d'acquisto. Si prega inoltre di allegare una breve descrizione del problema verificatosi o della manutenzione richiesta come pure i conduttori di misurazione insieme al misuratore. Gli importi per le riparazioni effettuate al di fuori della garanzia o per la sostituzione di strumenti sono pagabili tramite assegno bancario, versamento bancario, carta di credito (numero della carta di credito con data di scadenza), altrimenti sarà necessario formulare un ordine alla AMPROBE.

Si prega di leggere attentamente la seguente dichiarazione di garanzia e di verificare le batterie, prima di richiedere eventuali riparazioni. Durante il periodo di garanzia tutti gli apparecchi difettosi potranno essere spediti al distributore AMPROBE per una sostituzione con gli stessi modelli o un modello simile. Un elenco dei distributori competenti è contenuto nel paragrafo "Where to Buy" (centri di vendita) sul sito Internet www.amprobe.eu. Inoltre, gli apparecchi possono essere spediti negli USA e in Canada ad un centro di servizio AMPROBE (per l'indirizzo si veda più in basso) per la riparazione o la sostituzione.

Riparazioni e sostituzione al di fuori della garanzia

USA e Canada Per le riparazioni effettuate al di fuori della garanzia negli Stati Uniti e in Canada si potranno spedire gli apparecchi ad un centro di servizio AMPROBE. Le informazioni relative alle spese di riparazione e sostituzione attualmente valide sono da richiedere alla AMPROBE o a un centro di vendita.

Negli Stati Uniti	In Canada
Amprobe Test Tools	Amprobe Test Tools
Everett, WA 98203	Mississauga, ON L4Z 1X9
Tel.: 877-993-5853	Tel.: 905-890-7600
Fax : 425-446-6390	Fax: 905-890-6866








Riparazioni e sostituzione al di fuori della garanzia - Europa

Gli apparecchi potranno essere sostituiti al di fuori della garanzia da parte del distributore competente della AMPROBE dietro pagamento del rispettivo importo. Un elenco dei distributori competenti è contenuto nel paragrafo "Where to Buy" (centri di vendita) sul sito Internet www.amprobe.eu.

Indirizzo per la corrispondenza in Europa *

BEHA-AMPROBE GmbH
In den Engematten 14
D-79286 Glottertal
Germany
Tel.: +49 (0) 7684 8009 - 0
Fax: +49 (0) 7684 8009 - 410
www.amprobe.eu
info@amprobe.eu

Avvertenze riportate sull'apparecchio o nelle istruzioni d'uso:

	Avviso da punto di pericolo. Osservare le istruzioni d'uso.
	Da osservare tassativamente.
	Prudenza! Tensione pericolosa, pericolo di folgorazione.
	Isolamento continuo doppio o rinforzato secondo la classe II IEC 61140.
	Contrassegno degli apparecchi elettrici ed elettronici (direttiva WEEE 2002/96/CE).
	Marchio di conformità, conferma il rispetto delle direttive vigenti. La direttiva per la compatibilità elettromagnetica (89/336/CEE) viene rispettata. La direttiva per basse tensioni (73/23/CEE) viene anche rispettata.
 N10140	Concordanza con le norme australiane rilevanti

AVVERTENZA

Le istruzioni d'uso contengono informazioni ed indicazioni necessarie per un comando ed un uso sicuro dell'apparecchio.

Prima di usare l'apparecchio (messa in funzione) leggere con attenzione le istruzioni d'uso

Se le istruzioni non vengono rispettate o se non vengono osservate le avvertenze e gli avvisi, possono venire causati infortuni seri all'utilizzatore o il danneggiamento dell'apparecchio.

Introduzione / Contenuto della fornitura

L' AMPROBE EARTH-TEST è un misuratore maneggevole per la determinazione della resistenza di messa a terra. Il misuratore viene costruito secondo le norme tecniche vigenti e garantisce un lavoro sicuro ed affidabile.

L' AMPROBE EARTH-TEST si distingue per le seguenti caratteristiche:

- Determinazione della resistenza di messa a terra o della resistenza di messa a terra specifica
- Possibilità di misurazione a 2, 3 e 4 conduttori
- Misurazione secondo il metodo Wenner
- Corrente di misurazione maggiore di 10 mA
- Misurazione e monitoraggio della resistenza del dispersore ausiliario e delle resistenze sonda
- Indicazione della corrente di misurazione attuale per il controllo dell'incertezza di misurazione
- Resistenze sonda e ausiliarie fino a 50 k Ω
- Riconoscimento della tensione di disturbo
- Due frequenze di misurazione (127/140 Hz) per la soppressione della tensione di disturbo
- Selezione ottimizzata automatica della frequenza di misurazione
- Preselezione della tensione di contatto massima ammessa: UL 25/50 V
- Display grande e chiaro
- Gestione dell'energia
- Costruito secondo DIN VDE 0413 Parte 5, EN61557-5, IEC61557-5

La fornitura contiene:

- 1 EARTH-TEST
- 1 conduttore di misurazione rosso
- 1 conduttore di misurazione blu
- 1 morsetto a coccodrillo rosso
- 1 morsetto a coccodrillo blu
- 1 borsa di custodia
- 6 batterie 1,5 V Mignon IEC LR6
- 1 istruzioni d'uso

Trasporto e immagazzinaggio

Si prega di conservare la confezione originale per le eventuali future spedizioni in fabbrica, ad es. per la calibrazione dell'apparecchio. I danni di trasporto causati da un imballaggio non corretto sono esclusi dalla garanzia.

Per evitare danneggiamenti e nel caso che il misuratore non venga usato per un periodo prolungato, si raccomanda di estrarre le batterie. Se l'apparecchio dovesse comunque essersi sporcato a causa della fuoriuscita del liquido dell'elemento di batteria, l'apparecchio deve essere spedito in stabilimento per essere pulito e controllato.

L'apparecchio deve essere immagazzinato in locali asciutti e chiusi. Se l'apparecchio è stato trasportato a temperature estreme, prima dell'accensione esso ha bisogno di un periodo di acclimatazione di almeno 2 ore.

Misure di sicurezza

AVVERTENZA

L'AMPROBE EARTH-TEST è stato costruito in pieno rispetto delle disposizioni di sicurezza per dispositivi di misurazione e di controllo ed è uscito dallo stabilimento in perfetto stato di funzionamento tecnico di sicurezza. Per mantenere tale stato, l'utilizzatore deve osservare le avvertenze di sicurezza contenute nelle presenti istruzioni.

- Durante ogni lavoro devono essere osservate le prescrizioni antinfortunistiche vigenti degli enti antinfortunistici commerciali per impianti elettrici e mezzi di esercizio.
- Le misurazioni in prossimità di impianti elettrici devono essere eseguite esclusivamente seguendo le istruzioni di un elettricista responsabile e non di propria iniziativa.
- Prima di ogni uso controllare che il misuratore e i conduttori di collegamento utilizzati non presentino alcun danno visibile. Assicuratevi che il misuratore e i conduttori di collegamento utilizzati si trovino in perfetto stato. Il misuratore non deve essere più utilizzato, se una o più funzioni risultano essere difettose o se non è possibile riconoscerne l'operatività.
- Se non è più possibile garantire la sicurezza dell'utilizzatore, l'apparecchio deve essere spento e protetto contro l'uso accidentale. Questo è il caso se l'apparecchio:
 - presenta danni evidenti
 - non esegue più le misurazioni desiderate
 - è stato conservato troppo a lungo in condizioni sfavorevoli
 - è stato esposto a sollecitazioni meccaniche durante il trasporto.
- L'apparecchio deve essere usato solamente nei campi di esercizio e di misurazione specificati alla voce "Dati tecnici".
- Evitate qualsiasi surriscaldamento degli apparecchi dovuto a radiazione solare diretta. Solo in tale maniera è possibile garantire un perfetto funzionamento ed una lunga durata.
- Il misuratore può essere collegato esclusivamente a dispersori privi di tensione.

Uso consentito

AVVERTENZA

- L'apparecchio deve essere usato solamente nei campi di esercizio e di misurazione specificati alla voce "Dati tecnici".
- In caso di modifica o di trasformazioni, non è più possibile garantire la sicurezza di funzionamento.
- Gli interventi di manutenzione o di calibrazione devono essere effettuati esclusivamente dal nostro personale di fabbrica.

Nozioni generali sulle misurazioni di messa a terra

La resistenza di messa a terra è la resistenza tra la massa di riferimento e il punto di collegamento del sistema di messa a terra. Il sistema di messa a terra serve per portare le singole parti dell'impianto e i circuiti elettrici al potenziale di riferimento più prossimo possibile alla massa di riferimento. Le misurazioni di messa a terra sono obbligatorie negli impianti dotati di interruttori di protezione, nei sistemi parafulmine, nei sistemi di telecomunicazione e negli impianti di rifornimento del carburante. La misurazione di messa a terra integrata nell'AMPROBE EARTH-TEST è una misurazione della resistenza di messa a terra secondo il procedimento di corrente/tensione. L'alimentazione di corrente è garantita dalle batterie integrate nell'apparecchio. Le resistenze di messa a terra vengono calcolate con il procedimento di misurazione della corrente/tensione. La messa a terra è un componente essenziale di un sistema di alimentazione elettrica. Essa è necessaria per portare le singole parti dell'impianto e i circuiti elettrici ad un potenziale di riferimento comune prossimo alla massa di riferimento. La messa a terra viene utilizzata anche per proteggere gli impianti dalle sovratensioni o dalle correnti di cortocircuito.

Le resistenze di messa a terra devono essere a bassa ohmicità, i valori di riferimento sono stabiliti nelle disposizioni DIN VDE. La messa a terra e la resistenza di messa a terra sono composte dal conduttore di terra (conduttori di compensazione del potenziale o PE), dal dispersore (massa di fondamento, dispersore di terra, piattina di terra..) e dalla resistenza di propagazione verso terra. Questa è la resistenza tra il dispersore e la massa di riferimento. Intorno ad ogni dispersore si forma un imbuto di tensione che dipende dalla forma del dispersore stesso e dal terreno circostante. Se il terreno è uniforme e presenta la stessa temperatura e lo stesso livello di umidità, si formano imbuto di tensione di forma concentrica intorno al dispersore.

Più la resistenza di messa a terra presenta una bassa ohmicità, più piccoli saranno gli imbuto di tensione. Nella misurazione della resistenza di messa a terra viene misurata la caduta di tensione prodotta da una corrente costante conosciuta mediante la resistenza di messa a terra da misurare.

Effetti sulla precisione di misurazione

L'EARTH-TEST offre la possibilità di impostare una tensione di misurazione massima con il tasto UL 25/50V. Il limite della tensione di contatto andrebbe impostato 25 V per le applicazioni mediche e agricole e a 50 V per tutti gli altri utilizzi.

L'apparecchio fornisce una corrente di misurazione superiore ai 10 mA, in questo modo viene garantito un risultato di misurazione preciso. Se a causa della resistenza di messa a terra totale la tensione prodotta dalla corrente di misurazione raggiunge il limite di 25 V impostato per la tensione di contatto, viene misurata solo la corrente che scorre al raggiungimento del limite della tensione di contatto. Se il limite della tensione di contatto selezionato è pari a 50 V, la corrente di misurazione non viene limitata a 50 V; per tensioni di misurazione superiori a 50 V la corrente di misurazione viene limitata a 3 mA. In questo modo, anche in caso di condizioni di misurazione difficili, ad es. su terreno sassoso, con una corrente di misurazione sufficiente può essere garantito un risultato di misurazione preciso.

Le tensioni di disturbo presenti nei dispersori possono influenzare il risultato della misurazione. L'influsso delle tensioni di disturbo è molto basso nell'EARTH-TEST. Un filtro preciso sopprime tutti i disturbi le cui frequenze si discostano dalla frequenza di misurazione attuale. Grazie alla possibilità di scegliere tra due frequenze di misurazione sono garantiti buoni risultati di misurazione anche in caso di campi di disturbo molto intensi.

Con la selezione automatica della frequenza, l'EARTH-TEST seleziona la frequenza di misurazione che presenta le tensioni di disturbo minori. La frequenza di misurazione andrebbe selezionata manualmente solo se la frequenza di disturbo è nota. Nel caso in cui siano presenti tensioni di disturbo così alte da influenzare il risultato della misurazione nonostante il filtro, ciò viene segnalato sul display con il messaggio "Unoise". Sulla precisione di misurazione possono influire anche i rapporti tra i dispersori ausiliari o le resistenze sonda e la resistenza di messa a terra (RH/RE o RS/RE) e i valori assoluti dei dispersori ausiliari o le resistenze sonda (RH/RS). Se il rapporto RH/RE (o RS/RE) supera il valore 1000/1 (o 10000/1), l'EARTH-TEST non è più in grado di lavorare con la precisione indicata nei dati tecnici. Questo dipende dal fatto che la tensione da misurare rappresenta solo l'1/1000 (1/10000) della tensione presente nel circuito di misurazione. Se i dispersori ausiliari e le resistenze sonda diventano troppo grandi, sul display compare il messaggio "⚠ Limit RH". In questo caso è necessario tentare di migliorare il contatto dei dispersori e delle spine di messa a terra con il terreno (ad es. inserendo più a fondo le spine di messa a terra, inumidendo il terreno), e utilizzare più spine posate in parallelo.

Denominazioni

Dispersore (E):	Il dispersore è un conduttore posato nel terreno o nelle fondamenta e collegato con la massa in modo conduttivo (ad es. una massa di fondamenta in cemento).
Dispersore sonda (ES):	Collegamento della sonda più vicina al dispersore.
Massa di riferimento:	Una zona della massa abbastanza distante dal relativo dispersore da fare in modo che in qualunque punto della zona non si verificano tensioni percettibili prodotte dalla corrente di messa a terra.
Dispersore ausiliario (H):	Dispersore supplementare che conduce la corrente di misurazione necessaria ai fini della misurazione.
Prova (S):	Un dispersore supplementare, preferibilmente una spina di messa a terra, che funge da presa di potenziale per la massa di riferimento ai fini della misurazione.
Resistenza di propagazione di un dispersore:	La resistenza del terreno tra il dispersore e la massa di riferimento.

Display ed elementi di comando

Indicazioni sul display a cristalli liquidi:

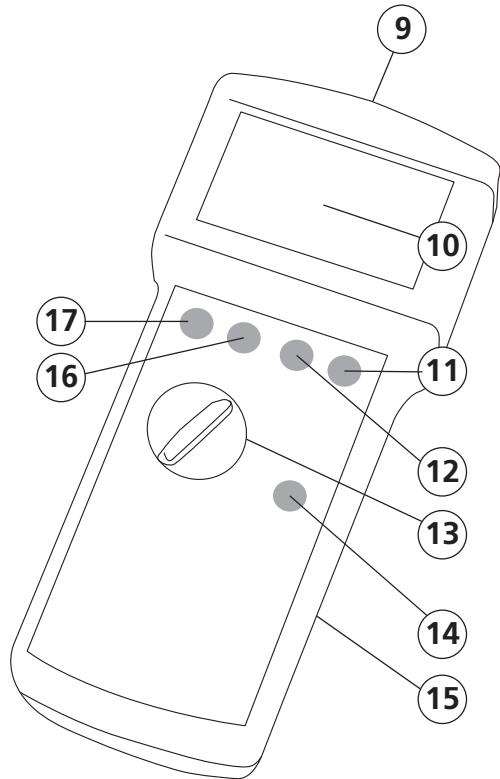
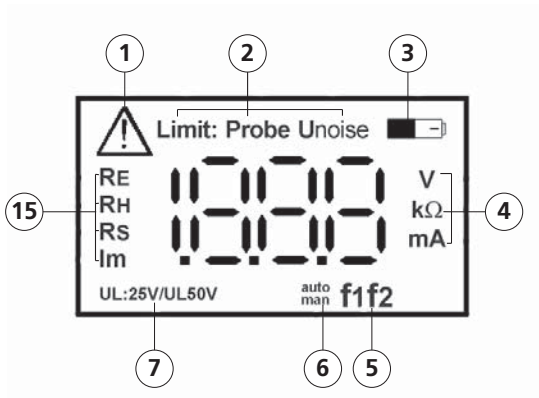
(Si veda anche Indicazioni / Messaggi di errore)

- 1) Simbolo per superamento del valore di soglia
- 2) Limit: indicazione per dispersore ausiliario/errore sonda
Prova: errore sonda
Unoise: tensione esterna
- 3) Indicatore stato batterie
- 4) Indicatore unità in funzione della grandezza di misurazione (8)
- 5) Indicazione della frequenza ($f_1 = 127 \text{ Hz}$ / $f_2 = 140 \text{ Hz}$)
- 6) Selezione automatica/manuale della frequenza
- 7) Valore di soglia della tensione di contatto
- 8) Visualizzazione grandezze di misurazione

Elementi di comando

- 9) Boccole di collegamento per i conduttori di misurazione:

Dispersore ausiliario	(H)	nero
Sonda	(S)	gialla
Sonda dispersore	(ES)	rossa
Dispersore	(E)	blu
- 10) Display a cristalli liquidi
- 11) Tasto UL per tensione di contatto: 50 V/25 V
- 12) Tasto f1/f2 per selezione manuale della frequenza ($f_1 = 127 \text{ Hz}$ / $f_2 = 140 \text{ Hz}$)
- 13) Selettore del tipo di misurazione
- 14) Tasto "Start"
- 15) Vano portabatterie sul lato posteriore dell'apparecchio
- 16) Tasto auto/man per selezione automatica/manuale della frequenza (si veda anche 4.1)
- 17) Tasto "Display" per la selezione della visualizzazione delle grandezze di misurazione sul display
RE - Resistenza di messa a terra
RH - Resistenza del dispersore ausiliario
RS - Resistenza sonda
 I_M - Corrente di misurazione



Esecuzione delle misurazioni



AVVERTENZA

- Le misurazioni in prossimità di impianti elettrici devono essere eseguite esclusivamente seguendo le istruzioni di un elettricista responsabile e non di propria iniziativa.
- Per realizzare una misurazione di messa a terra con spine di messa a terra (dispersore ausiliario/sonda) è necessario disporre del set di accessori AMPROBE (n° d'ord. 1048).
- Il misuratore può essere collegato esclusivamente a dispersori privi di tensione.
- Verificare la presenza di eventuali oggetti pericolosi (tubi, conduttori ecc.) nel terreno prima dell'inserimento del dispersore o delle sonde.
- Se nei conduttori di misurazione è presente una tensione superiore a ca. 5 V AC/DC, sul display compare il messaggio di allarme 'Unoise'.
- Per evitare errori di misurazione, prestare attenzione alla presenza di tubi metallici paralleli alla strumentazione di misurazione, cavi di massa e, negli spazi aperti, infiltrazioni d'acqua o radici. Inoltre, la resistenza di messa a terra specifica è soggetta a fluttuazioni stagionali determinate dalle condizioni atmosferiche.

Misurazione della resistenza di messa a terra (metodo a due conduttori)

Nella **misurazione a due conduttori** si misura la resistenza tra il dispersore interessato e un dispersore noto; in questo caso è possibile utilizzare ad es. il conduttore PEN di un sistema TN. Dal risultato della misurazione va sottratta la resistenza del dispersore noto. È possibile effettuare questa misurazione anche in zone densamente edificate o sigillate, dove non possono essere impiegate sonde o dispersori ausiliari.

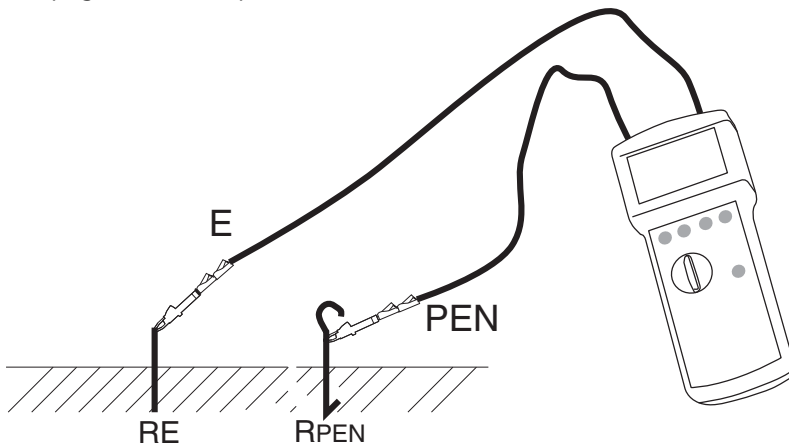


Figura 3: principio di misurazione, misurazione bipolare:

- 1) Collegare il dispersore da misurare con la boccia (E) e il dispersore noto con la boccia (H), si veda anche la figura 3.
- 2) Ruotare il selettore dei tipi di misurazione (13) nella posizione "2 pol".
- 3) Impostare la tensione di contatto voluta con il tasto "UL" (11).
- 4) Se necessario, impostare la selezione manuale della frequenza con il tasto "auto/man" (16) e la frequenza di misurazione con il tasto "f1/f2" (12).
- 5) Premere il tasto "Start" (14).
- 6) Leggere il risultato della misurazione sul display.

- Si veda anche Indicazioni / Messaggi di errore
- Al termine della misurazione, a seconda del risultato è possibile scegliere tra le indicazioni della resistenza di messa a terra e della corrente di misurazione (I_M) con il tasto "Display" (17).
- Con il campo di misurazione "2pol" possono essere misurate anche le resistenze convenzionali. Collegare al corpo da controllare i conduttori E e H. La corrente di controllo scorre nei conduttori E e H e anche la tensione di misurazione viene misurata tramite E e H.

Misurazione della resistenza di messa a terra (metodo a tre conduttori)

- Per eseguire questa misurazione è necessario disporre del set di accessori AMPROBE (option)

AVVERTENZA

Nella **misurazione a tre conduttori** vengono posizionate 2 spine di messa a terra (un dispersore ausiliario e una sonda) ad una distanza di almeno 20 m. Questa disposizione può anche essere triangolare. La corrente di misurazione viene alimentata tra il dispersore ausiliario e il dispersore e viene misurata la caduta di tensione tra il dispersore e la sonda. Viene misurata anche la resistenza del conduttore di misurazione tra il misuratore e il dispersore. Con questa misurazione è possibile determinare ad. es. le resistenze di messa a terra dei dispersori di fondamenta, di cantieri e di parafulmini.

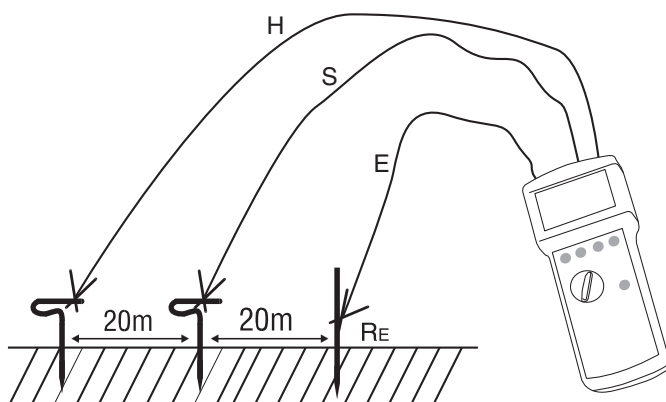


Figura 4: misurazione tripolare

- 1) Disporre le spine di messa a terra per il dispersore ausiliario e la sonda come illustrato nella figura 4. Questa disposizione può anche essere triangolare. La distanza tra la sonda e il dispersore e tra la sonda e il dispersore ausiliario deve essere di almeno 20 m. Posare con cura i conduttori e assicurarsi che i conduttori non siano posizionati in parallelo e non si incrocino per evitare possibili accoppiamenti.
- 2) Collegare i conduttori di misurazione con le spine di messa a terra come illustrato nella figura 4.
- 3) Ruotare il selettore dei tipi di misurazione (13) nella posizione "3 pol".
- 4) Impostare la tensione di contatto voluta con il tasto "UL" (11).
- 5) Se necessario, impostare la selezione manuale della frequenza con il tasto "auto/man" (16) e la frequenza di misurazione con il tasto "f1/f2" (12).
- 6) Premere il tasto "Start" (14).
- 7) Leggere il risultato della misurazione sul display.

- 8) Per il controllo della misurazione scambiare i collegamenti per la sonda e il dispersore ausiliario oppure spostare la spina di messa a terra per la sonda di ca. 1...2 m in direzione del dispersore (e in seguito in direzione del dispersore ausiliario) e ripetere la misurazione. Se il misuratore indica dei valori di misurazione simili in tutte le disposizioni, la sonda si trova al di fuori degli imbuto di tensione creati dal dispersore e dal dispersore ausiliario nella zona della massa di riferimento. Se il misuratore indica notevoli differenze, la sonda si potrebbe trovare nell'imbuto di tensione del dispersore o del dispersore ausiliario. Esistono due possibilità per evitare questo inconveniente:
- A:** Aumentare la distanza tra dispersore e dispersore ausiliario
oppure
- B:** posizionare la spina di messa a terra per la sonda in un punto delle rette al di fuori dell'imbuto di tensione come illustrato nella figura 5 e ripetere la misurazione.

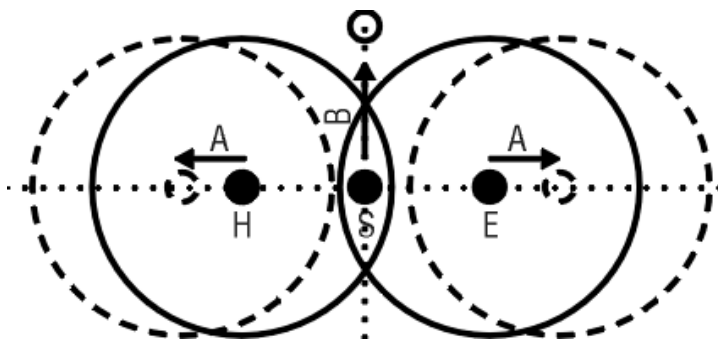


Figura 5: imbuto di tensione

- A misurazione terminata è possibile, mediante il tasto "Display" (17), cambiare le grandezze di misurazione scegliendo tra resistenza di messa a terra (RE), resistenza del dispersore ausiliario (RH) resistenza sonda (RS), e corrente di misurazione (IM).
- Rispettare la sequenza dei collegamenti, altrimenti l'apparecchio non sarà in grado di eseguire la misurazione e visualizzerà il seguente messaggio di errore:
 - l'indicazione "Prova" segnala un errore di collegamento di S, E (interruzione, scambio anche con H o E)
 - l'indicazione "Limit I_M " segnala un'interruzione nel collegamento di H.
- Si veda anche Indicazioni / messaggi di errore

Misurazione della resistenza di messa a terra (metodo a quattro conduttori)

La misurazione a quattro conduttori viene utilizzata al posto della misurazione a tre conduttori se sono presenti resistenze di messa a terra a ohmicità molto bassa e l'influsso del conduttore di misurazione tra il misuratore e il dispersore influenza notevolmente il risultato della misurazione.

In questo caso il dispersore da misurare viene collegato mediante i collegamenti E ed ES, il selettore del tipo di misurazione però viene posizionato su "4pol" e la misurazione viene effettuata come descritto.

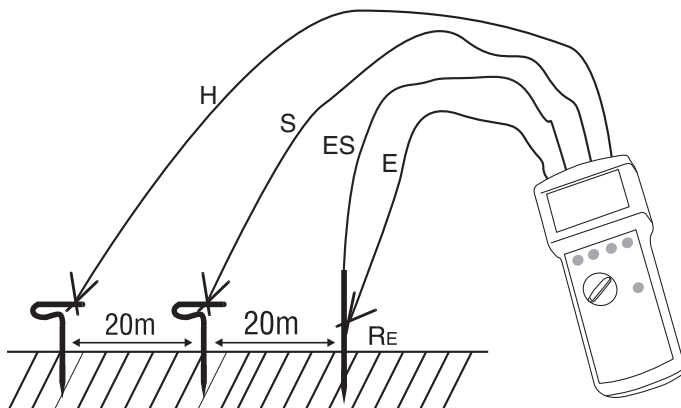


Figura 6: misurazione quadripolare

Misurazione della resistenza di messa a terra specifica (metodo a quattro conduttori sec. Wenner)

- Per eseguire questa misurazione è necessario disporre del set di accessori AMPROBE (option)

Per il calcolo della resistenza di propagazione dei dispersori e dei sistemi di messa a terra è necessario calcolare la resistenza di messa a terra specifica. Per il calcolo della resistenza di messa a terra specifica, la resistenza di messa a terra misurata va inserita in una formula:

$$\rho = 2 \cdot \pi \cdot a \cdot RE.$$

Questa misurazione viene effettuata mediante quattro spine di messa a terra che vengono inserite nel terreno da misurare in disposizione lineare e sempre alla stessa distanza 'a'. Le quattro spine di messa a terra vengono inserite ad una profondità massima di 1/5 della distanza 'a'. La resistenza di messa a terra viene rilevata fino alla profondità della distanza 'a'. Per evitare errori di misurazione, prestare attenzione alla presenza di tubi metallici paralleli alla strumentazione di misurazione, cavi di massa e, negli spazi aperti, infiltrazioni d'acqua o radici. Inoltre, la resistenza di messa a terra specifica è soggetta a fluttuazioni stagionali determinate dalle condizioni atmosferiche.

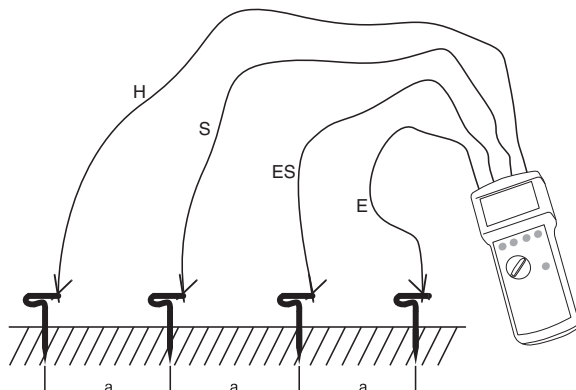


Figura 7: resistenza di messa a terra specifica

- 1) Disporre le quattro spine di messa a terra per E, ES, S, H in linea, come illustrato nella figura 7. La distanza tra le singole sonde deve corrispondere alla distanza utilizzata nella formula. Posare con cura i conduttori e assicurarsi che i conduttori non siano posizionati in parallelo e non si incrocino per evitare possibili accoppiamenti.
- 2) Collegare i conduttori di misurazione con le spine di messa a terra come illustrato nella figura 7.
- 3) Ruotare il selettore dei tipi di misurazione (13) nella posizione "4 pol".
- 4) Impostare la tensione di contatto voluta con il tasto "UL" (11).
- 5) Se necessario, impostare la selezione manuale della frequenza con il tasto "auto/man" (16) e la frequenza di misurazione con il tasto "f1/f2" (12).
- 6) Premere il tasto "Start" (14).
- 7) Leggere il risultato della misurazione sul display.

- A misurazione terminata è possibile, mediante il tasto "Display" (17), cambiare le grandezze di misurazione scegliendo tra resistenza di messa a terra (RE), resistenza del dispersore ausiliario (RH) resistenza sonda (RS), e corrente di misurazione (IM).
- Rispettare la sequenza dei collegamenti, altrimenti l'apparecchio non sarà in grado di eseguire la misurazione e visualizzerà il seguente messaggio di errore:
 - l'indicazione "Prova" segnala un errore di collegamento di S, E (interruzione, scambio anche con H o E)
 - l'indicazione "Limit I_M " segnala un'interruzione nel collegamento di H.
- Si veda anche Indicazioni / messaggi di errore
- Questo procedimento viene eseguito in punti diversi variando di volta in volta la distanza 'a'. In questo modo vengono esaminate le condizioni del terreno della zona desiderata. Una misurazione con distanze "a" più grandi è utile per chiarire la resistenza di messa a terra specifica a profondità maggiori.

Tabella 1:
Indicazioni per la valutazione dei risultati di misurazione









Condizioni del terreno	Resistenza di messa a terra Dispersore di terra		Resistenza di messa a terra Piattina di terra	
	profondità 3 m	profondità 5 m	lunghezza 5 m	lunghezza 10 m
Terreno paludoso/palude	10 Ω	5 Ω	12 Ω	6 Ω
Terreno coltivabile / argilla	33 Ω	17 Ω	40 Ω	20 Ω
Terreno sabbioso umido	66 Ω	33 Ω	80 Ω	40 Ω
Terreno sabbioso secco	330 Ω	165 Ω	400 Ω	200 Ω
Terreno sassoso	1000 Ω	500 Ω	1200 Ω	60 Ω
Cemento 1:5			160 Ω	80 Ω

La **tabella 2** mostra i valori che possono essere visualizzati per un valore di riferimento richiesto in considerazione dell'errore di utilizzo.

resistenza richiesta	valore di misura massimo visualizzato
0.3 Ω	0.18 Ω
0.4 Ω	0.28 Ω
0.5 Ω	0.37 Ω
0.6 Ω	0.46 Ω
0.7 Ω	0.56 Ω
0.8 Ω	0.65 Ω
0.9 Ω	0.75 Ω
1.0 Ω	0.84 Ω
2.0 Ω	1.84 Ω
3.0 Ω	2.79 Ω
4.0 Ω	3.73 Ω
5.0 Ω	4.67 Ω

Esempio: resistenza di messa a terra richiesta 1 Ω l'EARTH-TEST può visualizzare al max. 0,84 Ω .

Indicazioni / messaggi di errore

Messaggio	Causa
	Indicazione del superamento del valore di soglia in una grandezza di misurazione
 Prova	Interruzione / scambio sonda (S) e sonda di terra (ES) (nella misurazione 4 pol) Interruzione / scambio sonda (S) e dispersore (E) (nella misurazione 3 pol) Interruzione dispersore ausiliario (H) e dispersore (E) (2 pol)
 Limite IM	Interruzione dispersore ausiliario (H) e dispersore (E) (nella misurazione 4/3 pol)
 Unoise	La tensione esterna ha superato il valore consentito, i valori di misurazione non corrispondono più alle specifiche.
 Limite RH	Valore di misura dispersore ausiliario (RH) > 50 kΩ o dispersore ausiliario (RH) > 1000RE I valori di misurazione non corrispondono più alle specifiche.
 Limite RS	Valore di misura resistenza sonda (RS) > 50 kΩ o resistenza sonda RS > 10000 x RE I valori di misurazione non corrispondono più alle specifiche.
 Limite RE	Valore di misura resistenza di messa a terra (RE) > 2 kΩ (nella misurazione 4/3 pol) I valori di misura visualizzati per RH, RS in questo caso sono RH + RE, RS + RE !
 Limite	Valore di misura R > 2kΩ (nella misurazione 2 pol)
Simbolo della batteria	Le batterie sono quasi scariche e devono essere sostituite. I risultati della misurazione non corrispondono più alle specifiche.
Il simbolo della batteria lampeggia	Le batterie sono scariche, non è più possibile usare l'apparecchio

Gestione dell'energia

Ca. 5 minuti dopo l'ultima pressione di un tasto l'apparecchio si spegne automaticamente (Auto-Power-Off). Per rimetterlo in funzione è necessario spostare l'interruttore rotante dalla posizione "OFF".

Quando la batteria è quasi scarica sul display compare il simbolo della batteria (3), l'apparecchio continua a funzionare, tuttavia senza che venga garantito il rispetto delle specifiche.

Se si continua ad utilizzare le batterie finché sono completamente scariche, al raggiungimento della tensione minima della batteria l'apparecchio si spegne e il simbolo della batteria (3) lampeggia per alcuni secondi. Poi non è più possibile accendere l'apparecchio.

Manutenzione

Se usato come indicato nelle istruzioni d'uso, il misuratore non richiede una particolare manutenzione.

Pulizia

Se durante l'uso quotidiano l'apparecchio si dovesse sporcare, esso può essere pulito con un panno umido e con del detergente domestico non aggressivo.

- Prima di procedere alla pulizia, assicurarsi che l'apparecchio sia spento e che sia staccato da qualsiasi circuito elettrico.
- Per la pulizia, non usare mai detersivi aggressivi o solventi.

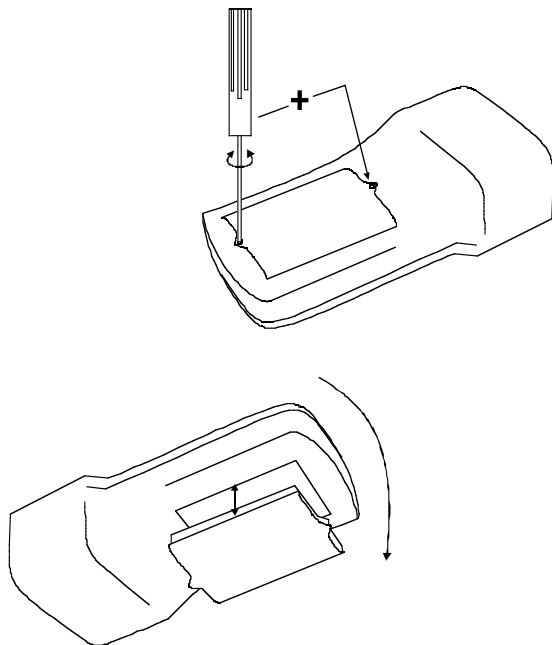
Sostituzione della batteria



AVVERTENZA

- Prima di sostituire le batterie l'apparecchio deve essere scollegato da qualsiasi circuito di misurazione.
- Non tentare mai di disassemblare una pila. Non gettare mai le batterie nel fuoco, in quanto possono esplodere. Non esponete mai le batterie all'umidità.
- Devono essere usate esclusivamente le batterie indicate nei dati tecnici (1,5 V Mignon Tipo IEC LR6).
- Si prega di tenere in considerazione anche l'aspetto ecologico di tali operazioni. Non gettate le batterie esauste nei rifiuti urbani, ma smaltitele nei contenitori o nei punti previsti. Solitamente, le batterie possono essere anche smaltite presso i rivenditori dai quali si acquistano le batterie nuove.
- Sono da osservare le disposizioni generalmente valide riguardo al ritiro, al riciclaggio e allo smaltimento di batterie esauste.
- Se l'apparecchio non viene usato per un periodo prolungato, le batterie devono essere estratte. Se l'apparecchio dovesse essersi sporcato a causa della fuoriuscita del liquido della batteria, l'apparecchio deve essere spedito al nostro stabilimento per essere pulito e controllato.

- 1) Se sul display compare il simbolo della batteria (3), le batterie devono essere sostituite.
- 2) Spegnerne l'apparecchio con il selettore del metodo di misurazione.
- 3) Allentare le viti (2) sul retro dell'apparecchio.
- 4) Sollevare il coperchio del vano portabatterie (colpendo leggermente l'apparecchio sul palmo della mano).
- 5) Estrarre le batterie esauste
- 6) Inserire le nuove batterie rispettando la polarità.
- 7) Montare il coperchio del vano portabatterie e avvitare le viti.
- 8) L'apparecchio è pronto all'esercizio.



Intervallo di calibrazione

Per mantenere costanti le precisioni dei risultati di misurazione, l'apparecchio deve essere calibrato ad intervalli regolari da parte del nostro servizio di assistenza. Raccomandiamo di rispettare un intervallo di calibrazione di un anno. In caso di uso frequente dell'apparecchio in condizioni operative severe, si raccomanda di accorciare tale intervallo. Se l'apparecchio dovesse essere usato di rado, allora l'intervallo di calibrazione può essere aumentato a 3 anni.

Dati tecnici

Indicazione	a 3 posizioni, LCD, 1999 Digit
Durata di misurazione	ca. 3-5 s
Principio di misurazione	Procedimento di misurazione corrente/tensione secondo DIN VDE 0413, Parte 5
Tensione di misurazione	25 V/50 V commutabili
Potenza e corrente assorbite	ca. 10 mA/0,1 W max. 500 mA per brevi intervalli durante la misurazione
Corrente di misurazione	max. 12mA
Frequenza (f1/f2)	127 Hz/140 Hz commutabili
Metodo di misurazione	2 pol/3 pol/ 4 pol Campo di misurazione Tolleranza:
Resistenza di messa a terra (RE):	0,05 - 2,00 Ohm $\pm(4 \% + 0,1 \text{ Ohm})$ $\pm(6 \% + 0,1 \text{ Ohm})$ 2,00 - 1999 Ohm $\pm(4 \% + 2 \text{ Digit})$ $\pm(6 \% + 3 \text{ Digit})^*$ 0,1 - 50 kOhm $\pm(10 \% + 3 \text{ Digit})^*$
Resistenza dispersori ausiliari e sonda	
Indicazione corrente di misurazione (I_M)	0,1 - 13mA $\pm(10 \% + 3 \text{ Digit})^*$
*Errore di utilizzo	

Campo d'impiego nominale:

Direzione della polarità	con 3/4 poli Misurazione
Tensione di disturbo	0...5 V, max 10 % della tensione di misurazione
Dispersori ausiliari / resistenza sonda	max. 50 kOhm
Rapporto RH/RE	max. 1000/1
Rapporto RS/RE	max. 10000/1
Resistenza di messa a terra	max. 2 kOhm

Campo di riferimento:

Direzione della polarità	con 3/4 poli Misurazione
Tensione di disturbo	0 V
Dispersori ausiliari / resistenza sonda	0 Ohm
Resistenza di messa a terra	max. 2 kOhm
Auto-Power-Off	dopo ca. 5 min
Alimentazione di corrente	6 x 1,5 V Mignon tipo IEC LR6
Soglia Low Batt	6,6 V $\pm 5 \%$ (spegnimento dell'apparecchio a 6.1 V $\pm 5 \%$)
Durata delle batterie	ca. 1 anno per un utilizzo medio
Dimensioni (LxLxP)	235x105x68 mm
Peso	ca. 640 g (incl. 6 x batt.)

Condizioni ambientali:

Temperatura di esercizio.

/ Umidità

Campo di temperatura
di riferimentoCampo di temperatura
di stoccaggio

Costruito secondo

Classe di protezione

Categoria di sovratensione

Grado di imbrattamento

Tipo di protezione

Altezza s.l.m.

0 °C...40 °C / max. 80 % a 0 °C...40 °C

+17 °C...+27 °C

-20 °C...+60 °C

DIN VDE 0413/T 5, EN 61557-5, IEC 61557-5

II

CAT III / 300V verso terra

2

IP50

sino a 2000 m

Con riserva di modifiche!

11/2007

PAEB30872261

Visit www.Amprobe.eu for:

- Catalog
- Application notes
- Product specifications
- User manual



Please Recycle